

ACCESSORIES

CATALOG



TABLE OF CONTENTS

02.....	Exterra® Belt Cleaner Overview
03.....	Exterra® Primary Belt Cleaner
05.....	Exterra® SFL Primary Belt Cleaner
07.....	Competitor Primary Replacement Blades
09.....	Exterra® Secondary Belt Cleaner
11.....	Exterra® SFL Dual Belt Cleaner
13.....	Mine Duty Exterra® Primary Belt Cleaner
15.....	V-Plow
15.....	Belting
16.....	Skirtboard Replacement Rubber
17.....	Impact Beds
19.....	Impact Bed Application Form
21.....	Impact Cradle
23.....	Sealing System
25.....	Slider Bed
27.....	Transition System
29.....	Belt Covers
32.....	SonicScout® Material Sensor
32.....	Inspection Door
33.....	Belt Speed Sensors
35.....	Belt Scale
37.....	Belt Scale Application Form
38.....	Belt Scale Check List
39.....	Belt Alignment Sensor
40.....	E-Stop
41.....	Auto Greaser
42.....	Return Roll Guards
44.....	Guard Panels
45.....	Safety Handrail



EXTERRA® BELT CLEANER OVERVIEW



Exterra® Primary Belt Cleaner



Exterra® SFL Primary Belt Cleaner



Exterra® Secondary Belt Cleaner



Exterra® SFL Dual Belt Cleaner

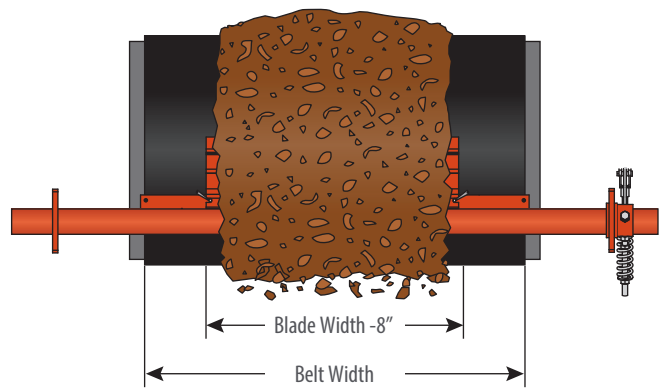
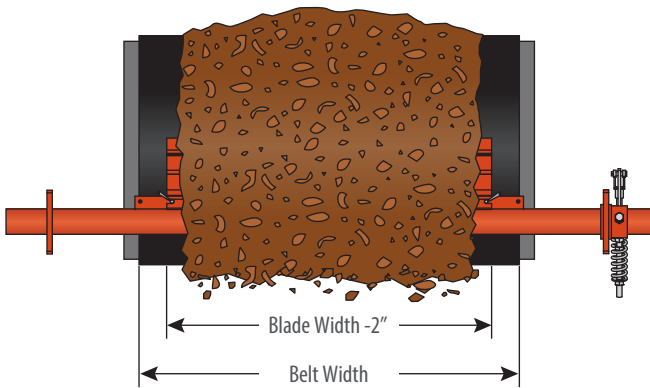


Mine Duty Exterra® Primary Belt Cleaner

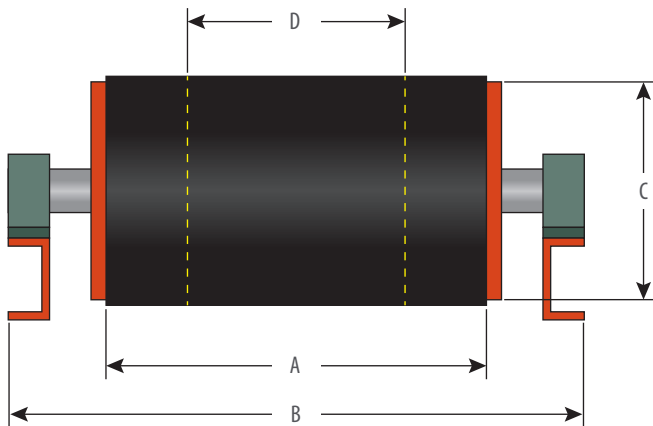
PART NUMBER GUIDE

Product	Belt Width	Blade Width	Pole Length	Tensioner	Secondary Blade Style
---------	------------	-------------	-------------	-----------	-----------------------

MATERIAL PATH DIAGRAM



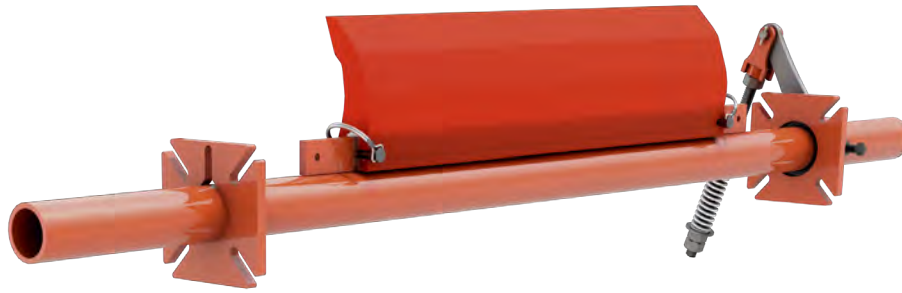
BELT CLEANER ORDERING INFORMATION



- A. Belt Width
- B. Frame Width
- C. Pulley Diameter
- D. Material Path Width

EXTERRA® PRIMARY BELT CLEANER

COMPLETE ASSEMBLY



PART NUMBER GUIDE

Product	Belt Width	Blade Width	Pole Length	Tensioner
---------	------------	-------------	-------------	-----------

SAMPLE PART NUMBER: P-1820481

MINUS 2" (-50MM) WITH STANDARD POLE OR XL POLE

BELT WIDTH		BLADE WIDTH		TENSIONER(S)	BLADE PART NUMBER	COMPLETE ASSEMBLY PART NUMBER (STANDARD POLE LENGTH)	COMPLETE ASSEMBLY PART NUMBER (XL POLE LENGTH)
in.	mm	in.	mm				
18	450	16	400	1	07-00541	P-1820481	P-1820601
24	600	22	550	1	07-00542	P-2420541	P-2420661
30	750	28	700	1	07-00543	P-3020601	P-3020721
36	900	34	850	1	07-00544	P-3620661	P-3620781
42	1050	40	1000	2	07-00545	P-4220722	P-4220842
48	1200	46	1150	2	07-00546	P-4820782	P-4820902
54	1350	52	1300	2	07-00547	P-5420842	P-5420962
60	1500	58	1450	2	07-00549	P-6020902	P-6021022
66	1650	64	1600	2	07-00548	P-6620962	P-6621082
72	1800	70	1750	2	07-00550	P-7221022	P-7221142

MINUS 8" (-200MM) WITH STANDARD POLE OR XL POLE

BELT WIDTH		BLADE WIDTH		TENSIONER(S)	BLADE PART NUMBER	COMPLETE ASSEMBLY PART NUMBER (STANDARD POLE LENGTH)	COMPLETE ASSEMBLY PART NUMBER (XL POLE LENGTH)
in.	mm	in.	mm				
18	450	10	250	1	07-00540	P-1880481	P-1880601
24	600	16	400	1	07-00541	P-2480541	P-2480661
30	750	22	550	1	07-00542	P-3080601	P-3080721
36	900	28	700	1	07-00543	P-3680661	P-3680781
42	1050	34	850	1	07-00544	P-4280721	P-4280841
48	1200	40	1000	2	07-00545	P-4880782	P-4880902
54	1350	46	1150	2	07-00546	P-5480842	P-5480962
60	1500	52	1300	2	07-00547	P-6080902	P-6081022
66	1650	58	1450	2	07-00549	P-6680962	P-6681082
72	1800	64	1600	2	07-00548	P-7281022	P-7281142

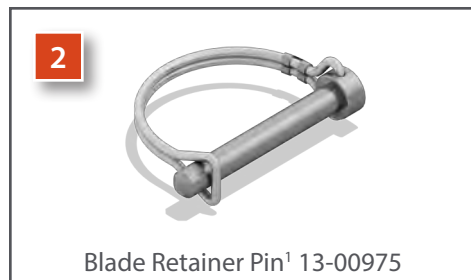
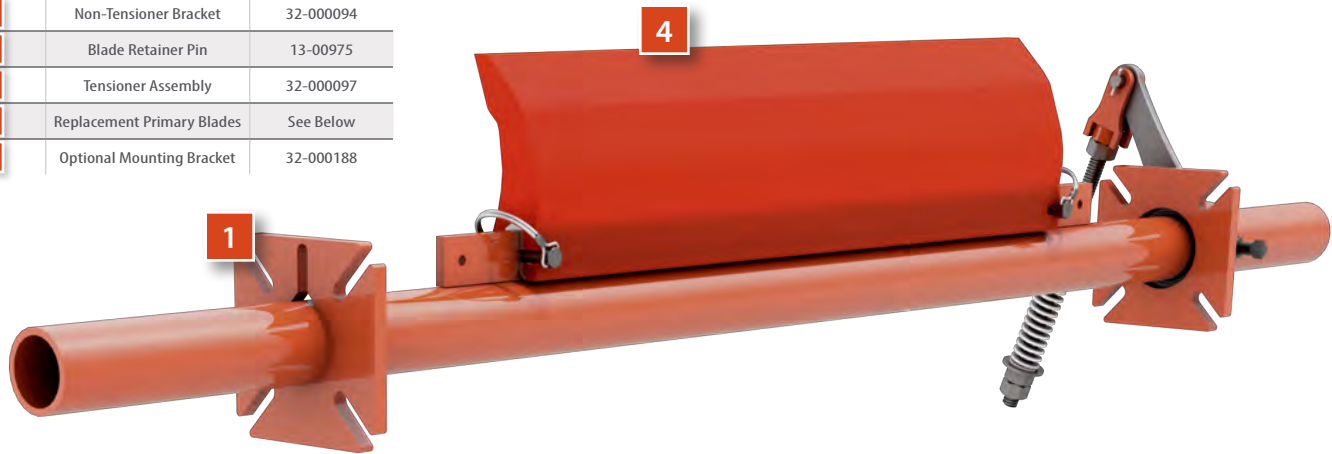
ALSO AVAILABLE IN LOW PROFILE

WHEN ORDERING, USE INCHES INSTEAD OF MILLIMETERS

EXTERRA® PRIMARY BELT CLEANER

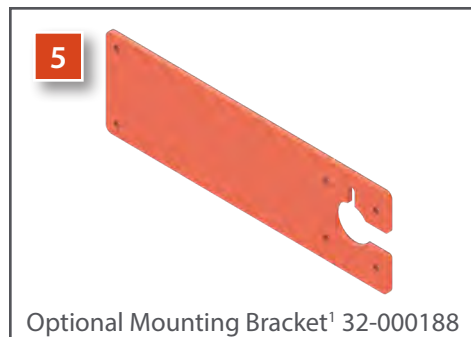
REPLACEMENT PARTS

PART	PART NUMBER
1	Non-Tensioner Bracket 32-00094
2	Blade Retainer Pin 13-00975
3	Tensioner Assembly 32-00097
4	Replacement Primary Blades See Below
5	Optional Mounting Bracket 32-000188



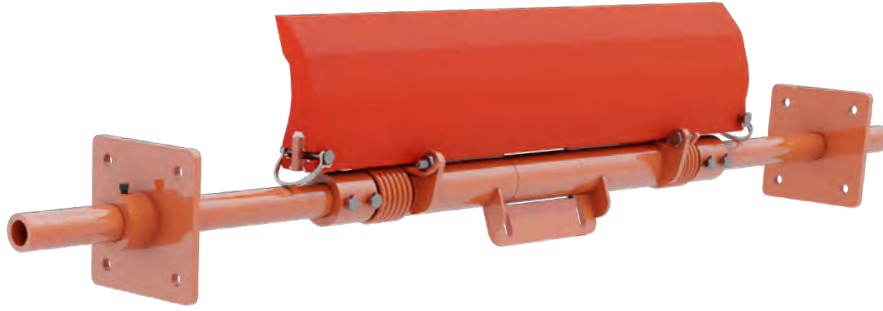
REPLACEMENT PRIMARY BLADES

BLADE WIDTH		PART NUMBER
in.	mm	
10	250	07-00540
16	400	07-00541
22	550	07-00542
28	700	07-00543
34	850	07-00544
40	1000	07-00545
46	1150	07-00546
52	1300	07-00547
58	1450	07-00549
64	1600	07-00548
70	1750	07-00550



EXTERRA[®] SFL PRIMARY BELT CLEANER

COMPLETE ASSEMBLY



PART NUMBER GUIDE

Product	Belt Width	Blade Width	Pole Length
---------	------------	-------------	-------------

SAMPLE PART NUMBER: **SFLP-182048**

MINUS 2" (-50MM) WITH STANDARD POLE OR XL POLE

BELT WIDTH		BLADE WIDTH		BLADE PART NUMBER	COMPLETE ASSEMBLY PART NUMBER (STANDARD POLE LENGTH)	COMPLETE ASSEMBLY PART NUMBER (XL POLE LENGTH)
in.	mm	in.	mm			
18	450	16	400	07-00541	SFLP-182048	SFLP-182060
24	600	22	550	07-00542	SFLP-242054	SFLP-242066
30	750	28	700	07-00543	SFLP-302060	SFLP-302072
36	900	34	850	07-00544	SFLP-362066	SFLP-362078
42	1050	40	1000	07-00545	SFLP-422072	SFLP-422084
48	1200	46	1150	07-00546	SFLP-482078	SFLP-482090
54	1350	52	1300	07-00547	SFLP-542084	SFLP-542096
60	1500	58	1450	07-00549	SFLP-602090	SFLP-602102

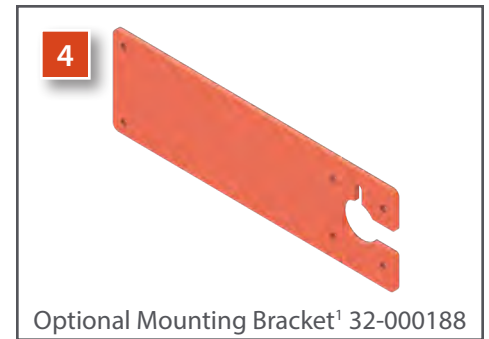
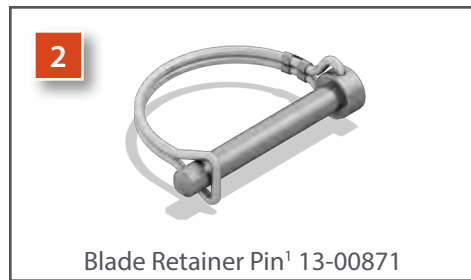
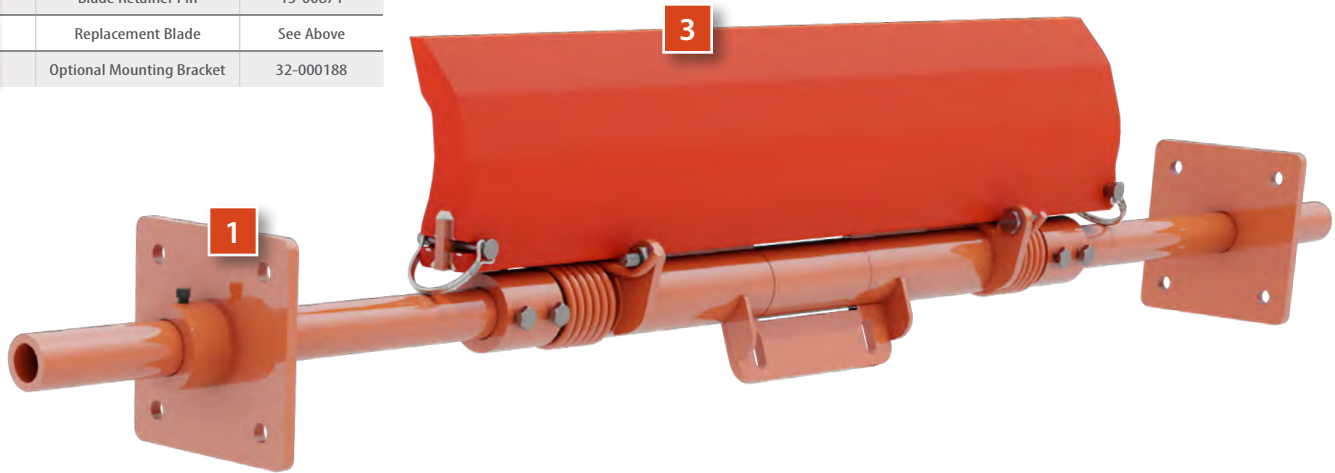
MINUS 8" (-200MM) WITH STANDARD POLE OR XL POLE

BELT WIDTH		BLADE WIDTH		BLADE PART NUMBER	COMPLETE ASSEMBLY PART NUMBER (STANDARD POLE LENGTH)	COMPLETE ASSEMBLY PART NUMBER (XL POLE LENGTH)
in.	mm	in.	mm			
18	450	10	250	07-00540	SFLP-188048	SFLP-188060
24	600	16	400	07-00541	SFLP-248054	SFLP-248066
30	750	22	550	07-00542	SFLP-308060	SFLP-308072
36	900	28	700	07-00543	SFLP-368066	SFLP-368078
42	1050	34	850	07-00544	SFLP-428072	SFLP-428084
48	1200	40	1000	07-00545	SFLP-488078	SFLP-488090
54	1350	46	1150	07-00546	SFLP-548084	SFLP-548096
60	1500	52	1300	07-00547	SFLP-608090	SFLP-608102

EXTERRA® SFL PRIMARY BELT CLEANER

REPLACEMENT PARTS

	PART	PART NUMBER
1	Non-Tensioner Bracket	32-100014
2	Blade Retainer Pin	13-00871
3	Replacement Blade	See Above
4	Optional Mounting Bracket	32-000188



¹ QUANTITY (2) REQUIRED FOR COMPLETE ASSEMBLY.

COMPETITOR PRIMARY REPLACEMENT BLADES

MARTIN® QC™ #1 STANDARD BELT CLEANER		
Length (inches)	Superior Part Number	QC #1 Part Number
10	07-00540-01	32773-1211
16	07-00541-01	32773-1811
22	07-00542-01	32773-2411
28	07-00543-01	32773-3011
34	07-00544-01	32773-3611
40	07-00545-01	32773-4211
46	07-00546-01	32773-4811
52	07-00547-01	32773-5411
58	07-00548-01	32773-6011
64	07-00549-01	32773-6611
70	07-00550-01	32773-7211

MARTIN® PV BELT CLEANER		
Length (inches)	Superior Part Number	Pit Viper Part Number
12	07-00540-03	PV15-18XX
16	07-00541-03	PV15-18XX
18	07-00542-03	PV15-24XX
22	07-00543-03	PV15-24XX
24	07-00544-03	PV15-30XX
28	07-00545-03	PV15-30XX
30	07-00546-03	PV15-36XX
34	07-00547-03	PV15-36XX
36	07-00548-03	PV15-42XX
40	07-00549-03	PV15-42XX
42	07-00550-03	PV15-48XX
46	07-00551-03	PV15-48XX
48	07-00552-03	PV15-54XX
52	07-00553-03	PV15-54XX
54	07-00554-03	PV15-60XX
58	07-00555-03	PV15-60XX
66	07-00556-03	PV15-72XX
70	07-00557-03	PV15-72XX

ARGONICS ERASER™ BELT CLEANER		
Length (inches)	Superior Part Number	Eraser Part Number
16	07-00540-05	CP-REA16M-G83
22	07-00541-05	CP-REA22M-G83
28	07-00542-05	CP-REA28M-G83
34	07-00543-05	CP-REA34M-G83
40	07-00544-05	CP-REA40M-G83
46	07-00545-05	CP-REA46M-G83
52	07-00546-05	CP-REA52M-G83
58	07-00547-05	CP-REA58M-G83

ARCH SABER PRIMARY™ BELT CLEANER		
Length (inches)	Superior Part Number	Arch Part Number ¹
16	07-00540-07	18000018
22	07-00541-07	24000024
28	07-00542-07	30000030
34	07-00543-07	36000036
40	07-00544-07	42000042
46	07-00545-07	48000048
52	07-00546-07	54000054
58	07-00547-07	60000060
64	07-00548-07	66000066
70	07-00549-07	72000072

¹ ARCH PART NUMBERS BEGIN AND END WITH: MCNSB000
[SEE ABOVE] OTA000000000000

MARTIN® HD STANDARD BELT CLEANER		
Length (inches)	Superior Part Number	HD Part Number
12	07-00540-02	35381-1811
16	07-00557-02	
18	07-00541-02	35381-2411
22	07-00552-02	
24	07-00542-02	35381-3011
28	07-00549-02	35381-3411
30	07-00543-02	35381-3611
34	07-00553-02	35381-4011
36	07-00544-02	35381-4211
40	07-00550-02	35381-4611
42	07-00545-02	35381-4811
44	07-00555-02	
46	07-00556-02	
48	07-00546-02	35381-5411
52	07-00554-02	
54	07-00547-02	35381-6011
58	07-00551-02	
66	07-00548-02	35381-7211

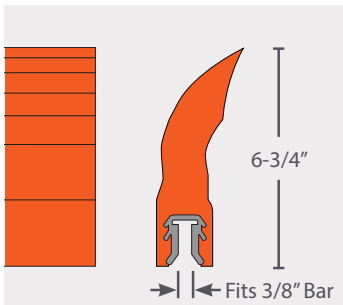
FLEXCO EZP1 ROCKLINE™ BELT CLEANER		
Length (inches)	Superior Part Number	Flexco Part Number
10	07-00540-04	EZP1-212
16	07-00541-04	EZP1-218
22	07-00542-04	EZP1-224
28	07-00543-04	EZP1-230
34	07-00544-04	EZP1-236
40	07-00545-04	EZP1-242
46	07-00546-04	EZP1-248
52	07-00547-04	EZP1-254
58	07-00548-04	EZP1-260
64	07-00549-04	EZP1-266
70	07-00550-04	EZP1-272

ARGONICS MICRO ERASER™ BELT CLEANER		
Length (inches)	Superior Part Number	Micro Eraser Part Number
16	07-00540-06	CP-MEA16M-G83
22	07-00541-06	CP-MEA22M-G83
28	07-00542-06	CP-MEA28M-G83
34	07-00543-06	CP-MEA34M-G83
40	07-00544-06	CP-MEA40M-G83
46	07-00545-06	CP-MEA46M-G83
52	07-00546-06	CP-MEA52M-G83
58	07-00547-06	CP-MEA58M-G83

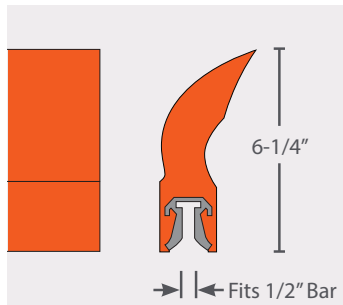
ARCH MINI SABER BELT CLEANER		
Length (inches)	Superior Part Number	Arch Part Number ²
16	07-00540-08	18000018
22	07-00541-08	24000024
28	07-00542-08	38000030
34	07-00543-08	36000036
40	07-00544-08	42000042
46	07-00545-08	48000048

² ARCH PART NUMBERS BEGIN AND END WITH: MCNMN000
[SEE ABOVE] OTA000000000000

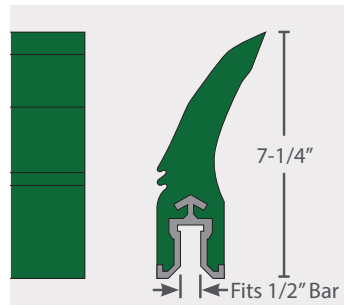
COMPETITOR PRIMARY REPLACEMENT BLADES



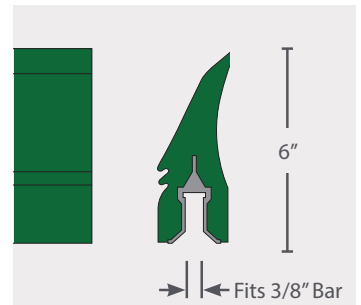
MARTIN QC #1 BLADE



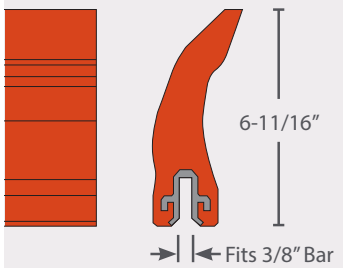
MARTIN HD BLADE



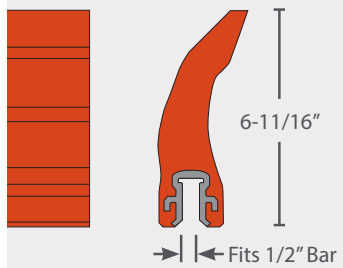
ARGONICS ERASER BLADE



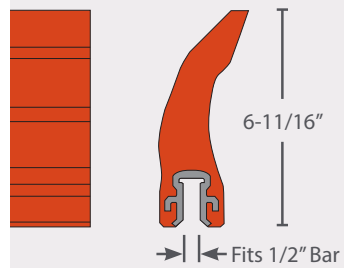
ARGONICS MICRO ERASER BLADE



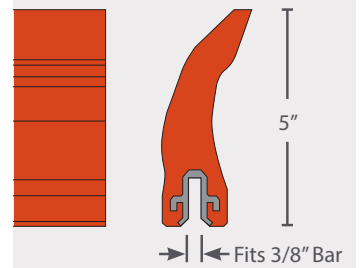
SUPERIOR REPLACEMENT



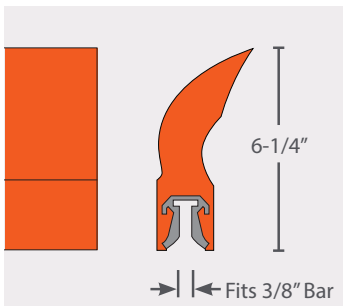
SUPERIOR REPLACEMENT



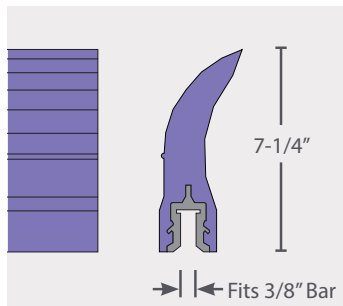
SUPERIOR REPLACEMENT



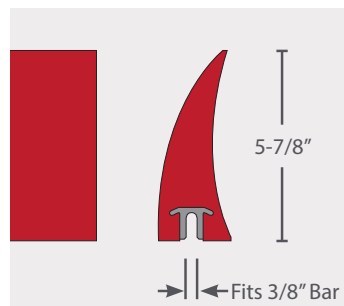
SUPERIOR REPLACEMENT



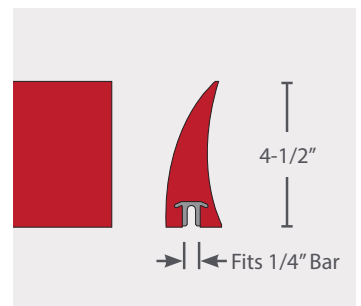
MARTIN PV BLADE



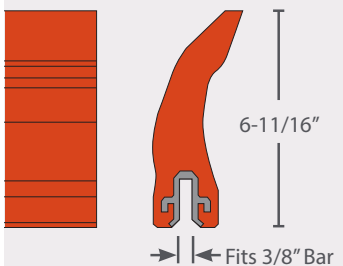
FLEXCO EXP1 ROCKLINE BLADE



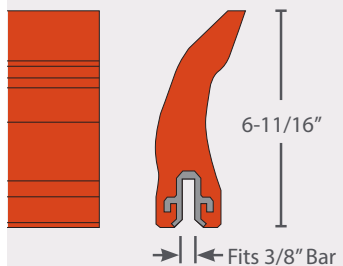
ARCH SABER PRIMARY BLADE



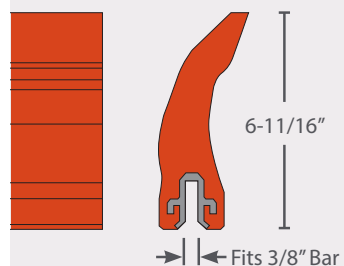
ARCH MINI SABER BLADE



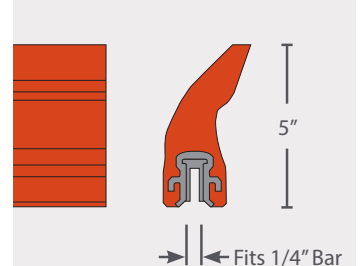
SUPERIOR REPLACEMENT



SUPERIOR REPLACEMENT



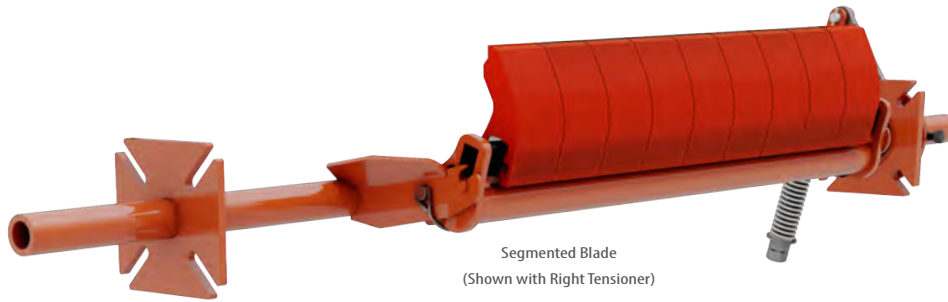
SUPERIOR REPLACEMENT



SUPERIOR REPLACEMENT

EXTERRA[®] SECONDARY BELT CLEANERS

COMPLETE ASSEMBLY



PART NUMBER GUIDE

Product	Belt Width	Blade Width	Pole Length	Tensioner	Secondary Blade Style
---------	------------	-------------	-------------	-----------	-----------------------

SAMPLE PART NUMBER: S-180348RT

SECONDARY BELT SCRAPER WITH STANDARD OR XL POLE

BELT WIDTH		TENSIONER SIDE	COMPLETE ASSEMBLY PART NUMBER (STANDARD POLE LENGTH)	STANDARD POLE LENGTH		COMPLETE ASSEMBLY PART NUMBER (XL POLE LENGTH)	XL POLE LENGTH		# OF SEGMENTS ¹
in.	mm			in.	mm		in.	mm	
18	450	Right	S-180348RT	48	1200	S-180360RT	60	1500	5
18	450	Left	S-180348LT	48	1200	S-180360LT	60	1500	5
24	600	Right	S-240354RT	54	1350	S-240366RT	66	1650	7
24	600	Left	S-240354LT	54	1350	S-240366LT	66	1650	8
30	750	Right	S-300360RT	60	1500	S-300372RT	72	1800	9
30	750	Left	S-300360LT	60	1500	S-300372LT	72	1800	9
36	900	Right	S-360366RT	66	1650	S-360378RT	78	1950	11
36	900	Left	S-360366LT	66	1650	S-360378LT	78	1950	11
42	1050	Dual	S-4203722T	72	1800	S-4203842T	84	2100	13
48	1200	Dual	S-4803782T	78	1950	S-4803902T	90	2250	15
54	1350	Dual	S-5403842T	84	2100	S-5403962T	96	2400	17
60	1500	Dual	S-6003902T	90	2250	S-60031022T	102	2550	19
66	1650	Dual	S-6603962T	96	2400	S-66031082T	108	2700	21
72	1800	Dual	S-72031022T	102	2550	S-72031142T	114	2850	23

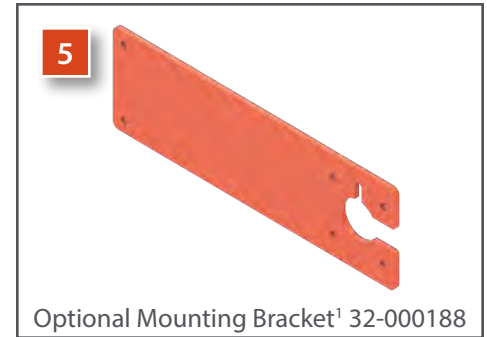
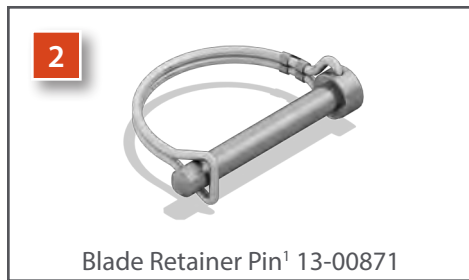
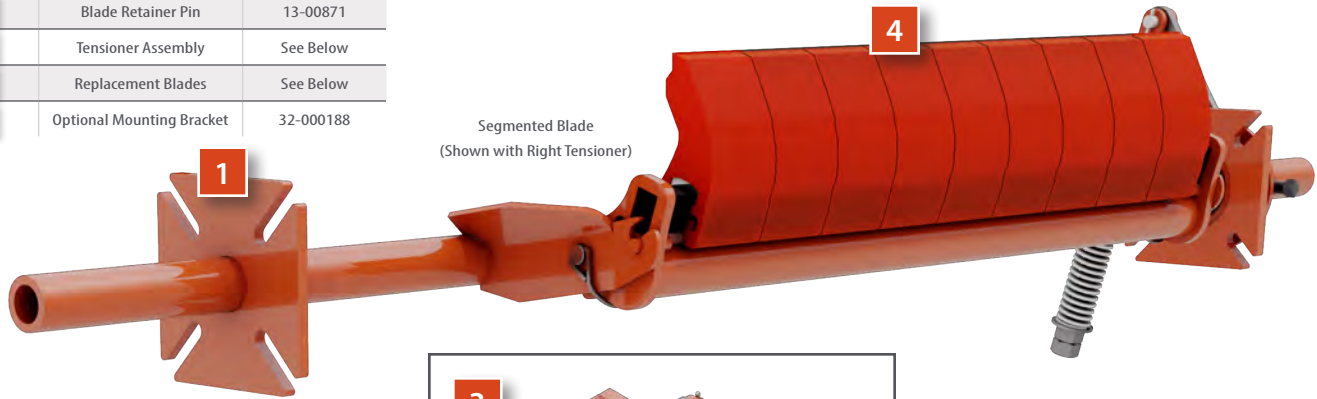
¹ (2) SEGMENTS ARE NON-TUNGSTEN.

NON-SEGMENTED BLADES AVAILABLE UPON REQUEST. NON-SEGMENTED IN URETHANE ONLY. STANDARD IS BELT WIDTH MINUS 3", ALSO AVAILABLE IN BELT WIDTH MINUS 3" INCREMENTS.

EXTERRA® SECONDARY BELT CLEANERS

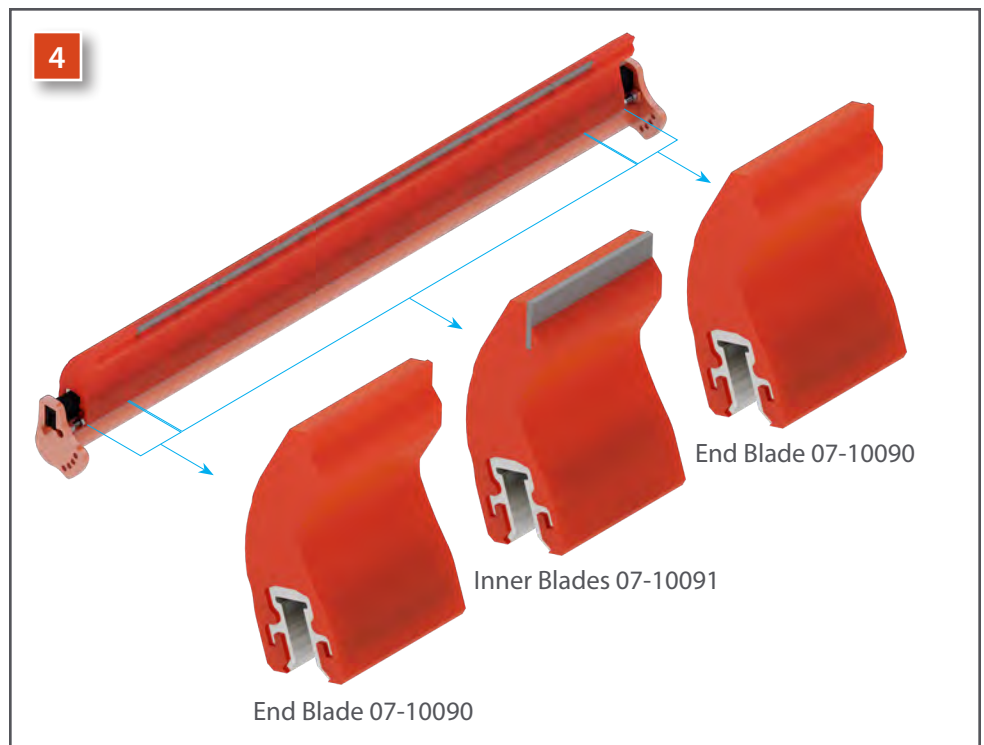
REPLACEMENT PARTS

	PART	PART NUMBER
1	Non-Tensioner Bracket	32-100017
2	Blade Retainer Pin	13-00871
3	Tensioner Assembly	See Below
4	Replacement Blades	See Below
5	Optional Mounting Bracket	32-000188



REPLACEMENT SEGMENTED BLADES

BELT WIDTH		STANDARD POLE CONFIGURATION	XL POLE CONFIGURATION	PART NUMBER ²
in.	mm			
18	450	S-180348LT	S-180360LT	S-1803B
18	450	S-180360RT	S-180360RT	S-1803B
24	600	S-240354LT	S-240366LT	S-2403B
24	600	S-240354RT	S-240366RT	S-2403B
30	750	S-300366LT	S-300372LT	S-3003B
30	750	S-300366RT	S-300372RT	S-3003B
36	900	S-360366LT	S-360378LT	S-3603B
36	900	S-360372RT	S-360378RT	S-3603B
42	1050	S-4203782T	S-4203842T	S-4203B
48	1200	S-4803842T	S-4803902T	S-4803B
54	1350	S-5403902T	S-5403962T	S-5403B
60	1500	S-6003962T	S-60031022T	S-6003B
66	1650	S-6603962T	S-66031082T	S-6603B
72	1800	S-72031022T	S-72031142T	S-7203B

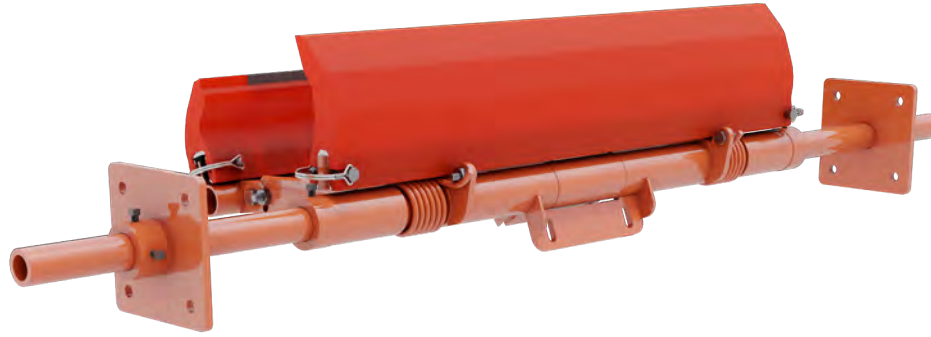


¹ QUANTITY (2) REQUIRED FOR COMPLETE ASSEMBLY.

² ALL MODELS ARE ALSO AVAILABLE WITH URETHANE
THE OUTER (2) SEGMENTS ARE NON-TUNGSTEN

EXTERRA[®] SFL DUAL BELT CLEANER

COMPLETE ASSEMBLY



PART NUMBER GUIDE

Product	Belt Width	Blade Width	Pole Length	Secondary Blade Style
----------------	-------------------	--------------------	--------------------	------------------------------

SAMPLE PART NUMBER: SFLD1-182048T

MINUS 2" (-50MM) WITH STANDARD POLE AND XL POLE: PULLEY DIAMETERS 20" AND BELOW¹

BELT WIDTH		BLADE WIDTH		NUMBER OF CENTER SEGMENTS ²	COMPLETE ASSEMBLY PART NUMBER (STANDARD POLE LENGTH)	COMPLETE ASSEMBLY PART NUMBER (XL POLE LENGTH)
in.	mm	in.	mm			
18	450	16	400	6	SFLD1-182048T	SFLD1-182060T
24	600	22	550	8	SFLD1-242054T	SFLD1-242066T
30	750	28	700	8	SFLD1-302060T	SFLD1-302072T
36	900	34	850	10	SFLD1-362066T	SFLD1-362078T
42	1050	40	1000	12	SFLD1-422072T	SFLD1-422084T
48	1200	46	1150	14	SFLD1-482078T	SFLD1-482090T
54	1350	52	1300	16	SFLD1-542084T	SFLD1-542096T
60	1500	58	1450	18	SFLD1-602090T	SFLD1-602102T

MINUS 8" (-200MM) WITH STANDARD POLE AND XL POLE: PULLEY DIAMETERS 20" AND BELOW¹

BELT WIDTH		BLADE WIDTH		NUMBER OF CENTER SEGMENTS ²	COMPLETE ASSEMBLY PART NUMBER (STANDARD POLE LENGTH)	COMPLETE ASSEMBLY PART NUMBER (XL POLE LENGTH)
in.	mm	in.	mm			
18	450	10	250	6	SFLD1-188048T	SFLD1-188060T
24	600	16	400	8	SFLD1-248054T	SFLD1-248066T
30	750	22	550	8	SFLD1-308060T	SFLD1-308072T
36	900	28	700	10	SFLD1-368066T	SFLD1-368078T
42	1050	34	850	12	SFLD1-428072T	SFLD1-428084T
48	1200	40	1000	14	SFLD1-488078T	SFLD1-488090T
54	1350	46	1150	16	SFLD1-548084T	SFLD1-548096T
60	1500	52	1300	18	SFLD1-608090T	SFLD1-608102T

MINUS 2" (-50MM) WITH STANDARD POLE AND XL POLE: PULLEY DIAMETERS 21" AND ABOVE¹

BELT WIDTH		BLADE WIDTH		NUMBER OF CENTER SEGMENTS ²	COMPLETE ASSEMBLY PART NUMBER (STANDARD POLE LENGTH)	COMPLETE ASSEMBLY PART NUMBER (XL POLE LENGTH)
in.	mm	in.	mm			
30	750	28	700	8	SFLD2-302060T	SFLD2-302072T
36	900	34	850	10	SFLD2-362066T	SFLD2-362078T
42	1050	40	1000	12	SFLD2-422072T	SFLD2-422084T
48	1200	46	1150	14	SFLD2-482078T	SFLD2-482090T
54	1350	52	1300	16	SFLD2-542084T	SFLD2-542096T
60	1500	58	1450	18	SFLD2-602090T	SFLD2-602102T

MINUS 8" (-200MM) WITH STANDARD POLE AND XL POLE: PULLEY DIAMETERS 21" AND ABOVE¹

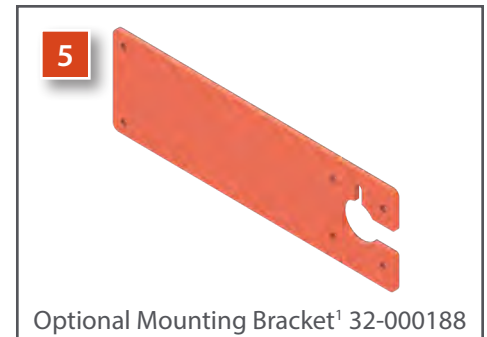
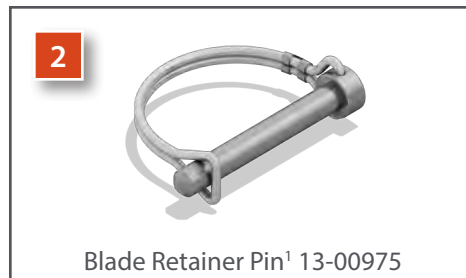
BELT WIDTH		BLADE WIDTH		NUMBER OF CENTER SEGMENTS ²	COMPLETE ASSEMBLY PART NUMBER (STANDARD POLE LENGTH)	COMPLETE ASSEMBLY PART NUMBER (XL POLE LENGTH)
in.	mm	in.	mm			
30	750	28	700	8	SFLD2-308060T	SFLD2-308072T
36	900	34	850	10	SFLD2-368066T	SFLD2-368078T
42	1050	40	1000	12	SFLD2-428072T	SFLD2-428084T
48	1200	46	1150	14	SFLD2-488078T	SFLD2-488090T
54	1350	52	1300	16	SFLD2-548084T	SFLD2-548096T
60	1500	58	1450	18	SFLD2-608090T	SFLD2-608102T

¹ DIAMETER INCLUDES LAGGING AND THICKNESS OF BELT. ² (2) SEGMENTS ARE NON-TUNGSTEN.

EXTERRA® SFL DUAL BELT CLEANER

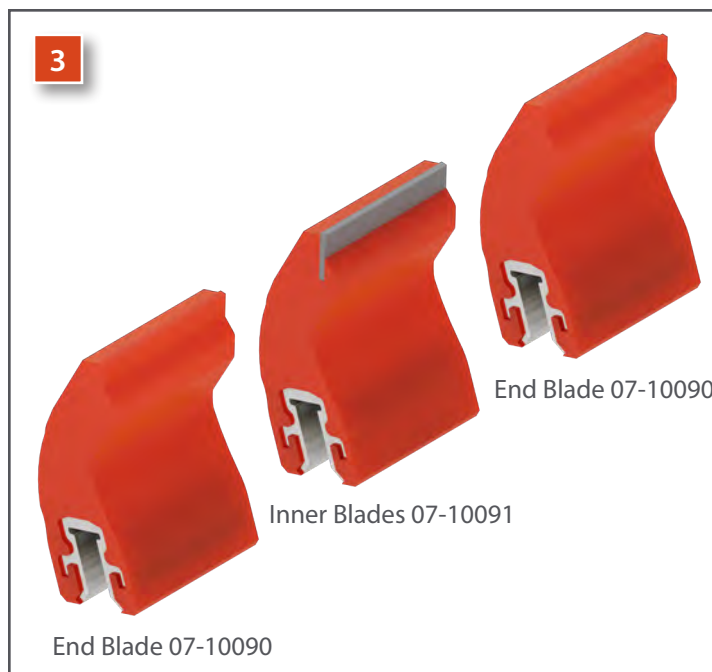
REPLACEMENT PARTS

	PART	PART NUMBER
1	Non-Tensioner Bracket	32-000094
2	Blade Retainer Pin	13-00975
3	Replacement Segmented Blades	See Below
4	Replacement Primary Blade	See Below
5	Optional Mounting Bracket	32-000188



REPLACEMENT SEGMENTED BLADES

BELT WIDTH		PART NUMBER
in.	mm	
18	450	SFLD-18B
24	600	SFLD-24B
30	750	SFLD-30B
36	900	SFLD-36B
42	1050	SFLD-42B
48	1200	SFLD-48B
54	1350	SFLD-54B
60	1500	SFLD-60B
72	1800	SFLD-72B



REPLACEMENT PRIMARY BLADES

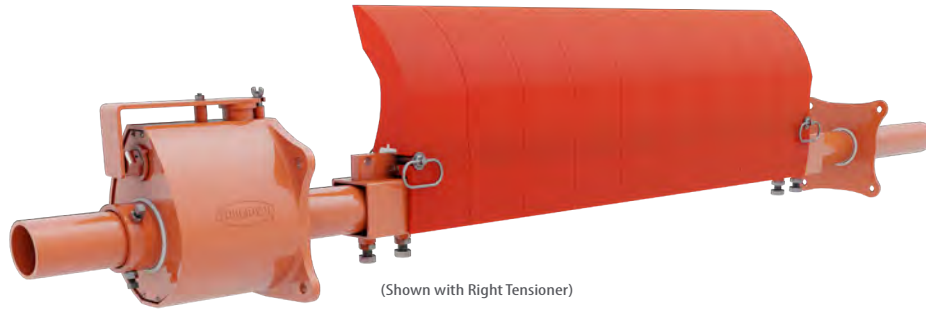
BLADE WIDTH		PART NUMBER
in.	mm	
10	250	07-00540
16	400	07-00541
22	550	07-00542
28	700	07-00543
34	850	07-00544
40	1000	07-00545
46	1150	07-00546
52	1300	07-00547
58	1450	07-00549
64	1600	07-00548
70	1750	07-00550



¹ QUANTITY (2) REQUIRED FOR COMPLETE ASSEMBLY.

MINE DUTY EXTERRA® PRIMARY BELT CLEANER

COMPLETE ASSEMBLY



(Shown with Right Tensioner)

PART NUMBER GUIDE

Product	Belt Width	Blade Width	Tensioner
----------------	-------------------	--------------------	------------------

SAMPLE PART NUMBER: PMD-03006L

MINE DUTY EXTERRA LEFT TENSIONER

BELT WIDTH		TENSIONING SIDE	# OF CENTER SEGMENTS ¹	PART NUMBER
in.	mm			
30	750	Left	4	PMD-03006L
36	900	Left	5	PMD-03606L
42	1050	Left	6	PMD-04206L
48	1200	Left	7	PMD-04806L
54	1350	Left	8	PMD-05406L
60	1500	Left	9	PMD-06006L
66	1650	Left	10	PMD-06606L
72	1800	Left	11	PMD-07206L

MINE DUTY EXTERRA RIGHT TENSIONER

BELT WIDTH		TENSIONING SIDE	# OF CENTER SEGMENTS ¹	PART NUMBER
in.	mm			
30	750	Right	4	PMD-03006R
36	900	Right	5	PMD-03606R
42	1050	Right	6	PMD-04206R
48	1200	Right	7	PMD-04806R
54	1350	Right	8	PMD-05406R
60	1500	Right	9	PMD-06006R
66	1650	Right	10	PMD-06606R
72	1800	Right	11	PMD-07206R

MINE DUTY EXTERRA DUAL TENSIONER

BELT WIDTH		TENSIONING SIDE	# OF CENTER SEGMENTS ¹	PART NUMBER
in.	mm			
60	1500	Dual	9	PMD-06006D
66	1650	Dual	10	PMD-06606D
72	1800	Dual	11	PMD-07206D
78	1950	Dual	12	PMD-07806D
84	2100	Dual	13	PMD-08406D
96	2400	Dual	15	PMD-09606D
108	2700	Dual	17	PMD-10806D

¹ EACH UNIT USES (1) LEFT HAND AND (1) RIGHT HAND BLADE. INNER BLADES FILL OUT THE REST OF THE BLADE LENGTH.

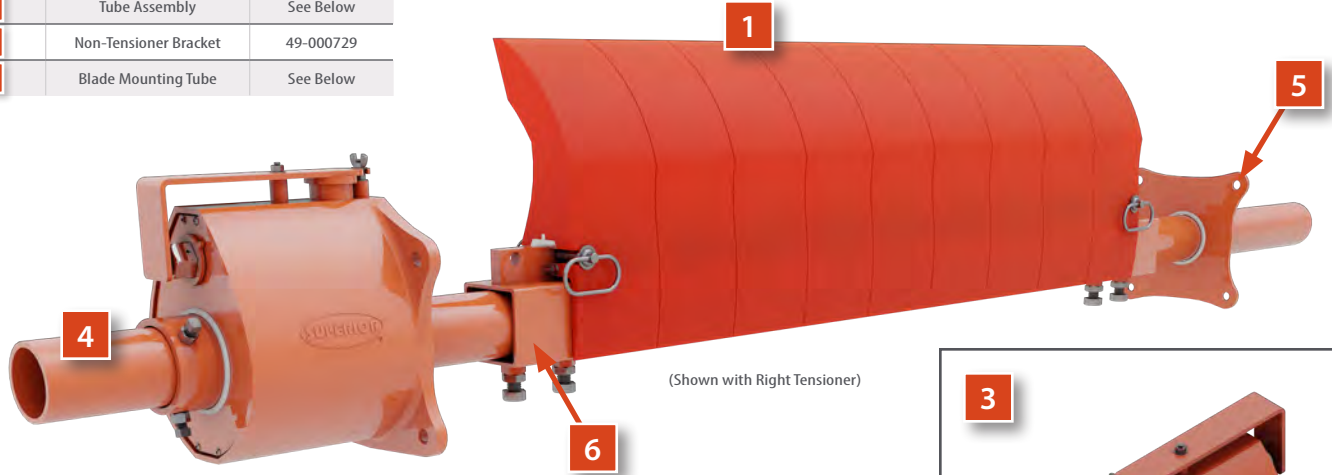
STANDARD CONFIGURATION BLADE WIDTH EQUAL TO BELT WIDTH MINUS 6". ALSO AVAILABLE MINUS 12" BLADE WIDTH.

WHEN ORDERING, USE INCHES INSTEAD OF MILLIMETERS

MINE DUTY EXTERRA® PRIMARY BELT CLEANER

REPLACEMENT PARTS

PART	PART NUMBER
1	Replacement Blade
2	Blade Retainer Pin
3	Tensioner Assembly
4	Tube Assembly
5	Non-Tensioner Bracket
6	Blade Mounting Tube



BLADE WIDTH		RH TENSIONER	LH TENSIONER	TUBE ASSEMBLY	BLADE MOUNTING TUBE
in.	mm	PART NUMBER	PART NUMBER	PART NUMBER	PART NUMBER
24	600	PMDT-2243Q1	PMDT-2244Q1	PMD-002024	PMD-001024
30	750	PMDT-4277Q1	PMDT-4278Q1	PMD-002030	PMD-001030
36	900	PMDT-4279Q1	PMDT-4280Q1	PMD-002036	PMD-001036
42	1050	PMDT-2245Q1	PMDT-4281Q1	PMD-002042	PMD-001042
48	1200	PMDT-2243Q2	PMDT-2244Q2	PMD-002048	PMD-001048
54	1350	PMDT-2243Q2	PMDT-2244Q2	PMD-002054	PMD-001054
60	1500	PMDT-4277Q2	PMDT-4278Q2	PMD-002060	PMD-001060
66	1650	PMDT-4277Q2	PMDT-4278Q2	PMD-002066	PMD-001066
72	1800	PMDT-4279Q2	PMDT-4280Q2	PMD-002072	PMD-001072
78	1950	PMDT-2245Q2	PMDT-4281Q2	PMD-002078	PMD-001078
84	2100	PMDT-2245Q2 ²	PMDT-4281Q2 ²	PMD-002084	PMD-001084
96	2400	PMDT-2243Q2 ²	PMDT-2244Q2 ²	PMD-002096	PMD-001096
108	2700	PMDT-2243Q2 ²	PMDT-2244Q2 ²	PMD-002108	PMD-001108



¹ QUANTITY (2) REQUIRED FOR COMPLETE ASSEMBLY.

² BLADE LENGTHS REQUIRE DUAL TENSIONERS.

EACH UNIT USES (1) LEFT HAND AND (1) RIGHT HAND BLADE.
INNER BLADES FILL OUT THE REST OF THE BLADE LENGTH.

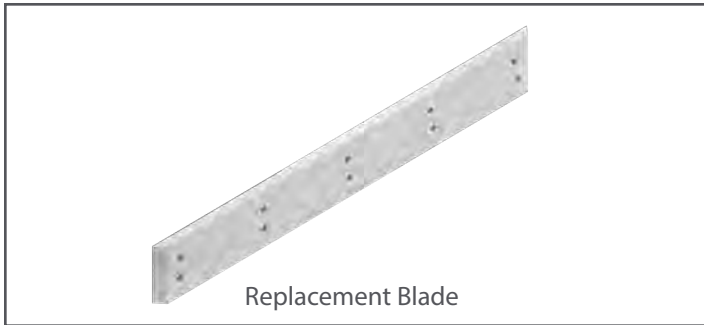
V-PLOW

COMPLETE ASSEMBLY



BELT WIDTH		V-PLOW PART NUMBER	REPLACEMENT BLADE PART NUMBER ¹
in.	mm		
24	600	VPLOW-24	38-000048
30	750	VPLOW-30	38-000049
36	900	VPLOW-36	38-000050
42	1050	VPLOW-42	38-000051
48	1200	VPLOW-48	38-000052
54	1350	VPLOW-54	38-000053
60	1500	VPLOW-60	38-000054
72	1800	VPLOW-72	38-000055

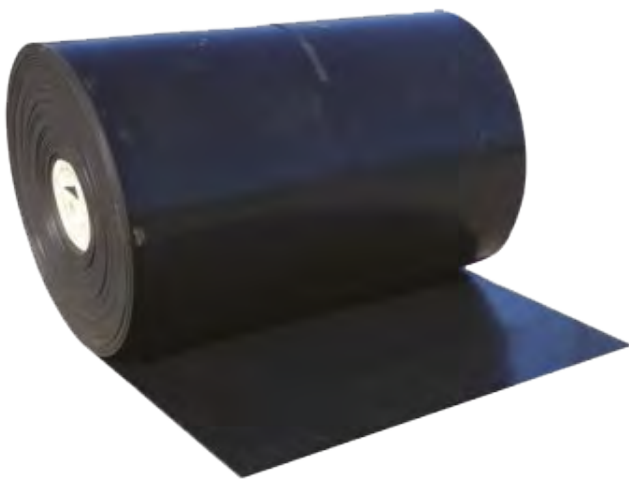
¹ QUANTITY: 2



Replacement Blade

BELTING

COMPLETE ASSEMBLY



DESCRIPTION	PART NUMBER
24" Belt, 3 Ply, 3/16X1/16, 330PIW	07-00112
30" Belt, 2 Ply, 1/8X1/16, 220PIW	07-00113
30" Belt, 2 Ply, 3/16X1/16, 220PIW	07-00114 ¹
30" Belt, 3 Ply, 3/16X1/16, 330PIW	07-00115 ¹
36" Belt, 2 Ply, 1/8X1/16, 220PIW	07-00116 ¹
36" Belt, 2 Ply, 3/16X1/16, 220PIW	07-00117 ¹
36" Belt, 3 Ply, 3/16X1/16, 330PIW	07-00118 ¹
42" Belt, 3 Ply, 3/16X1/16, 330PIW	07-00122 ¹
48" Belt, 3 Ply, 3/16X1/16, 330PIW	07-00125 ¹

¹ INDICATES BELTS INCLUDE SUPERIOR LOGO

BELT FASTENERS INCLUDED UPON REQUEST

SKIRTBOARD REPLACEMENT RUBBER

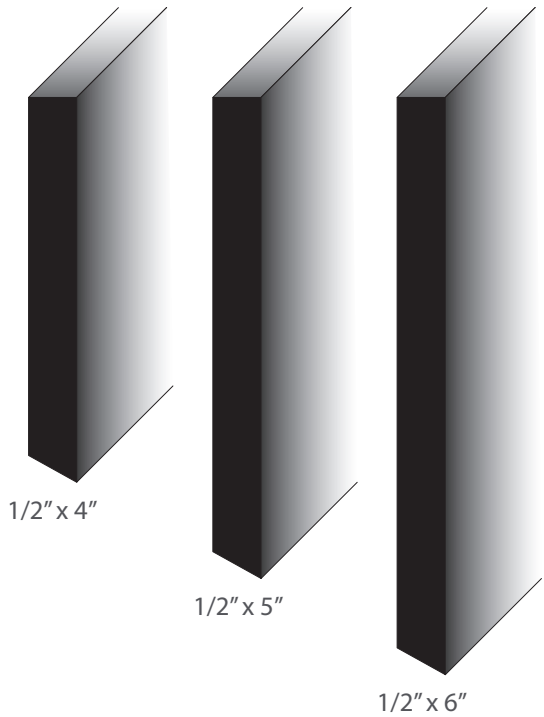
COMPLETE ASSEMBLY



PART NUMBERS	SIZES
07-000135	1/2" x 4"
07-000136	1/2" x 5"
07-000137	1/2" x 6"

COMES IN 50' ROLL. OPTIONS AVAILABLE FOR SPECIAL APPLICATIONS.

REPLACEMENT RUBBER SIZES



IMPACT BEDS

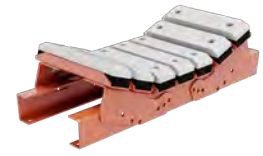
COMPLETE ASSEMBLY



Medium Duty Impact Bed



Standard Duty Impact Bed



18" Standard Duty Impact Bed

PART NUMBER GUIDE

Product	CEMA Class	Idler Diameter	Degree	Bed Length	Belt Width	Duty
----------------	-------------------	-----------------------	---------------	-------------------	-------------------	-------------

SAMPLE PART NUMBER: I-C5455-542

STANDARD DUTY 4-FOOT IMPACT BED

BELT WIDTH		20 DEGREE	35 DEGREE	45 DEGREE
in.	mm			
24	600	I-C5204-241	I-C5354-241	I-C5454-241
30	750	I-C5204-301	I-C5354-301	I-C5454-301
36	900	I-C5204-361	I-C5354-361	I-C5454-361
42	1050	I-C5204-421	I-C5354-421	I-C5454-421
48	1200	I-C5204-481	I-C5354-481	I-C5454-481
54	1350	I-C5204-541	I-C5354-541	I-C5454-541
60	1500	I-C5204-601	I-C5354-601	I-C5454-601
72	1800	I-C5204-721	I-C5354-721	I-C5454-721

STANDARD DUTY 5-FOOT IMPACT BED

BELT WIDTH		20 DEGREE	35 DEGREE	45 DEGREE
in.	mm			
24	600	I-C5205-241	I-C5355-241	I-C5455-241
30	750	I-C5205-301	I-C5355-301	I-C5455-301
36	900	I-C5205-361	I-C5355-361	I-C5455-361
42	1050	I-C5205-421	I-C5355-421	I-C5455-421
48	1200	I-C5205-481	I-C5355-481	I-C5455-481
54	1350	I-C5205-541	I-C5355-541	I-C5455-541
60	1500	I-C5205-601	I-C5355-601	I-C5455-601
72	1800	I-C5205-721	I-C5355-721	I-C5455-721

MEDIUM DUTY 4-FOOT IMPACT BED

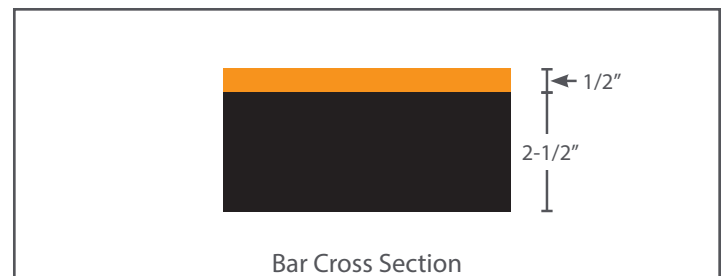
BELT WIDTH		20 DEGREE	35 DEGREE	45 DEGREE
in.	mm			
24	600	I-C5204-242	I-C5354-242	I-C5454-242
30	750	I-C5204-302	I-C5354-302	I-C5454-302
36	900	I-C5204-362	I-C5354-362	I-C5454-362
42	1050	I-C5204-422	I-C5354-422	I-C5454-422
48	1200	I-C5204-482	I-C5354-482	I-C5454-482
54	1350	I-C5204-542	I-C5354-542	I-C5454-542
60	1500	I-C5204-602	I-C5354-602	I-C5454-602
72	1800	I-C5204-722	I-C5354-722	I-C5454-722

MEDIUM DUTY 5-FOOT IMPACT BED

BELT WIDTH		20 DEGREE	35 DEGREE	45 DEGREE
in.	mm			
24	600	I-C5205-242	I-C5355-242	I-C5455-242
30	750	I-C5205-302	I-C5355-302	I-C5455-302
36	900	I-C5205-362	I-C5355-362	I-C5455-362
42	1050	I-C5205-422	I-C5355-422	I-C5455-422
48	1200	I-C5205-482	I-C5355-482	I-C5455-482
54	1350	I-C5205-542	I-C5355-542	I-C5455-542
60	1500	I-C5205-602	I-C5355-602	I-C5455-602
72	1800	I-C5205-722	I-C5355-722	I-C5455-722

18" STANDARD DUTY

BELT WIDTH		20 DEGREE	35 DEGREE	45 DEGREE
in.	mm			
24	600	I-C520-18-24	I-C535-18-24	I-C545-18-24
30	750	I-C520-18-30	I-C535-18-30	I-C545-18-30
36	900	I-C520-18-36	I-C535-18-36	I-C545-18-36
42	1050	I-C520-18-42	I-C535-18-42	I-C545-18-42
48	1200	I-C520-18-48	I-C535-18-48	I-C545-18-48
54	1350	I-C520-18-54	I-C535-18-54	I-C545-18-54
60	1500	I-C520-18-60	I-C535-18-60	I-C545-18-60
72	1800	I-C520-18-72	I-C535-18-72	I-C545-18-72

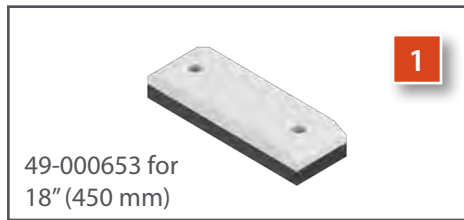
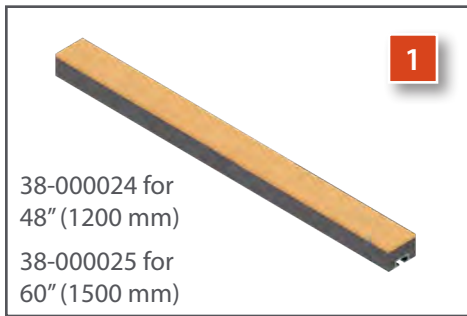


CHANGE PART NUMBER FROM I-C5 TO I-C6 FOR 6" DIAMETER TROUGHING IDLERS.

IMPACT BEDS

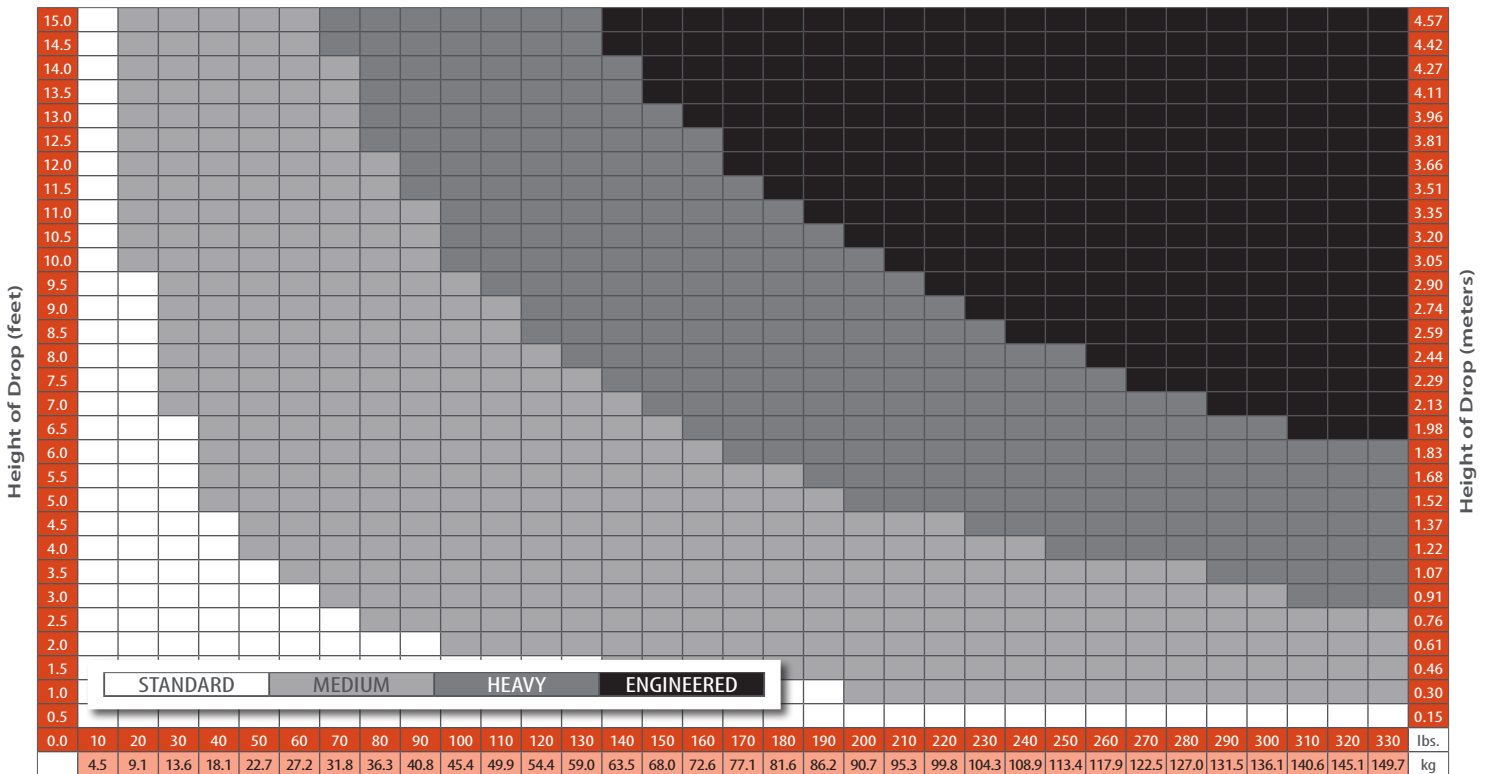
REPLACEMENT PARTS

PART	PART NUMBER
1	Replacement Bar
2	Bar Hardware Kit (1 Bar)
3	Impact Bar Holder



LENGTH		BAR HARDWARE KIT (1/BAR)	IMPACT BAR HOLDER
in.	mm		
18	450	NA	32-000661
48	1200	13-10128	32-000606
60	1500	13-10454	32-000607

IMPACT BED SIZING CHART



Single Lump Weight

IMPACT BED APPLICATION FORM

GENERAL INFORMATION

Date	
Customer	
Plant/Mine/Project	
Submitted By	
Contact Name	
Contact Phone and/or Email	

APPLICATION DATA

Conveyor Name/Tag	
Conveyor Capacity (STPH)	
Altitude (ft)	
Operation (days/year)	

CONVEYOR DATA

Belt Width (inches)	
Belt Speed (FPM)	
Impact Bed Length	
Material (type and max lump size)	
Material Density (lbs/ft ³)	
Trough Idler Angle and Roll Diameter	
CEMA class Idlers	
Current Idler Manufacturer	
Drop Height of Material	

IMPACT CRADLE

COMPLETE ASSEMBLY



PART NUMBER GUIDE

Product	CEMA Class	Idler Diameter	Degree	Idler Style	Belt Width
----------------	-------------------	-----------------------	---------------	--------------------	-------------------

SAMPLE PART NUMBER: IC-C6-35E-42

CEMA C IMPACT CRADLE WITH 5" ROLL

BELT WIDTH		20 DEGREE	35 DEGREE
in.	mm		
24	600	IC-C5-20E-24	IC-C5-35E-24
30	750	IC-C5-20E-30	IC-C5-35E-30
36	900	IC-C5-20E-36	IC-C5-35E-36
42	1050	IC-C5-20E-42	IC-C5-35E-42
48	1200	IC-C5-20E-48	IC-C5-35E-48
54	1350	IC-C5-20E-54	IC-C5-35E-54
60	1500	IC-C5-20E-60	IC-C5-35E-60

CEMA C IMPACT CRADLE WITH 6" ROLL

BELT WIDTH		20 DEGREE	35 DEGREE
in.	mm		
24	600	IC-C6-20E-24	IC-C6-35E-24
30	750	IC-C6-20E-30	IC-C6-35E-30
36	900	IC-C6-20E-36	IC-C6-35E-36
42	1050	IC-C6-20E-42	IC-C6-35E-42
48	1200	IC-C6-20E-48	IC-C6-35E-48
54	1350	IC-C6-20E-54	IC-C6-35E-54
60	1500	IC-C6-20E-60	IC-C6-35E-60

CEMA D IMPACT CRADLE WITH 5" ROLL

BELT WIDTH		20 DEGREE	35 DEGREE
in.	mm		
24	600	IC-D5-20E-24	IC-D5-35E-24
30	750	IC-D5-20E-30	IC-D5-35E-30
36	900	IC-D5-20E-36	IC-D5-35E-36
42	1050	IC-D5-20E-42	IC-D5-35E-42
48	1200	IC-D5-20E-48	IC-D5-35E-48
54	1350	IC-D5-20E-54	IC-D5-35E-54
60	1500	IC-D5-20E-60	IC-D5-35E-60
66	1650	IC-D5-20E-66	IC-D5-35E-66
72	1800	IC-D5-20E-72	IC-D5-35E-72

CEMA D IMPACT CRADLE WITH 6" ROLL

BELT WIDTH		20 DEGREE	35 DEGREE
in.	mm		
24	600	IC-D6-20E-24	IC-D6-35E-24
30	750	IC-D6-20E-30	IC-D6-35E-30
36	900	IC-D6-20E-36	IC-D6-35E-36
42	1050	IC-D6-20E-42	IC-D6-35E-42
48	1200	IC-D6-20E-48	IC-D6-35E-48
54	1350	IC-D6-20E-54	IC-D6-35E-54
60	1500	IC-D6-20E-60	IC-D6-35E-60
66	1650	IC-D6-20E-66	IC-D6-35E-66
72	1800	IC-D6-20E-72	IC-D6-35E-72

CEMA E IMPACT CRADLE WITH 6" ROLL

BELT WIDTH		20 DEGREE	35 DEGREE
in.	mm		
36	900	IC-E6-20E-36	IC-E6-35E-36
42	1050	IC-E6-20E-42	IC-E6-35E-42
48	1200	IC-E6-20E-48	IC-E6-35E-48
54	1350	IC-E6-20E-54	IC-E6-35E-54
60	1500	IC-E6-20E-60	IC-E6-35E-60
66	1650	IC-E6-20E-66	IC-E6-35E-66
72	1800	IC-E6-20E-72	IC-E6-35E-72
78	1950	IC-E6-20E-78	IC-E6-35E-78
84	2100	IC-E6-20E-84	IC-E6-35E-84

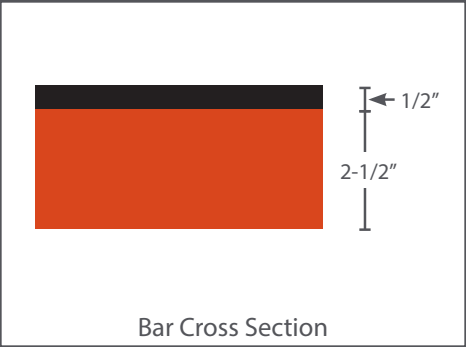
CEMA E IMPACT CRADLE WITH 7" ROLL

BELT WIDTH		20 DEGREE	35 DEGREE
in.	mm		
36	900	IC-E7-20E-36	IC-E7-35E-36
42	1050	IC-E7-20E-42	IC-E7-35E-42
48	1200	IC-E7-20E-48	IC-E7-35E-48
54	1350	IC-E7-20E-54	IC-E7-35E-54
60	1500	IC-E7-20E-60	IC-E7-35E-60
66	1650	IC-E7-20E-66	IC-E7-35E-66
72	1800	IC-E7-20E-72	IC-E7-35E-72
78	1950	IC-E7-20E-78	IC-E7-35E-78
84	2100	IC-E7-20E-84	IC-E7-35E-84

IMPACT CRADLE

REPLACEMENT PARTS

1	PART	PART NUMBER
1	Replacement Bar	38-000090



SEALING SYSTEM

COMPLETE ASSEMBLY



4-Foot Bars w/ Center Impact

PART NUMBER GUIDE

CEMA Class	Idler Diameter	Product	Degree	Idler Style	Belt Width	Number of Frames	Cartridge Type
-------------------	-----------------------	----------------	---------------	--------------------	-------------------	-------------------------	-----------------------

SAMPLE PART NUMBER: C5S-20E-36-410

REPLACEMENT C5 SEALING SYSTEM

BELT WIDTH		REPLACEMENT ROLLER ¹	REPLACEMENT IDLER SINGLE CARTRIDGE	REPLACEMENT IDLER DOUBLE CARTRIDGE	REPLACEMENT SINGLE CARTRIDGE	REPLACEMENT DOUBLE CARTRIDGE
in.	mm					
24	600	C5-24	C5S-20E-24-105	C5S-20E-24-110	D5S-24-1	D5S-24-2
30	750	C5-30	C5S-20E-30-105	C5S-20E-30-110	D5S-30-1	D5S-30-2
36	900	C5-36	C5S-20E-36-105	C5S-20E-36-110	D5S-36-1	D5S-36-2
42	1050	C5-42	C5S-20E-42-105	C5S-20E-42-110	D5S-42-1	D5S-42-2
48	1200	C5-48	C5S-20E-48-105	C5S-20E-48-110	D5S-48-1	D5S-48-2
54	1350	C5-54	C5S-20E-54-105	C5S-20E-54-110	D5S-54-1	D5S-54-2
60	1500	C5-60	C5S-20E-60-105	C5S-20E-60-110	D5S-60-1	D5S-60-2
72	1800	C5-72	C5S-20E-72-105	C5S-20E-72-110	D5S-72-1	D5S-72-2

REPLACEMENT C6 SEALING SYSTEM

BELT WIDTH		REPLACEMENT ROLLER ¹	REPLACEMENT IDLER SINGLE CARTRIDGE	REPLACEMENT IDLER DOUBLE CARTRIDGE	REPLACEMENT SINGLE CARTRIDGE	REPLACEMENT DOUBLE CARTRIDGE
in.	mm					
24	600	C6-24	C6S-20E-24-105	C6S-20E-24-110	D6S-24-1	D6S-24-2
30	750	C6-30	C6S-20E-30-105	C6S-20E-30-110	D6S-30-1	D6S-30-2
36	900	C6-36	C6S-20E-36-105	C6S-20E-36-110	D6S-36-1	D6S-36-2
42	1050	C6-42	C6S-20E-42-105	C6S-20E-42-110	D6S-42-1	D6S-42-2
48	1200	C6-48	C6S-20E-48-105	C6S-20E-48-110	D6S-48-1	D6S-48-2
54	1350	C6-54	C6S-20E-54-105	C6S-20E-54-110	D6S-54-1	D6S-54-2
60	1500	C6-60	C6S-20E-60-105	C6S-20E-60-110	D6S-60-1	D6S-60-2
72	1800	C6-72	C6S-20E-72-105	C6S-20E-72-110	D6S-72-1	D6S-72-2

REPLACEMENT D5 SEALING SYSTEM

BELT WIDTH		REPLACEMENT ROLLER ¹	REPLACEMENT IDLER SINGLE CARTRIDGE	REPLACEMENT IDLER DOUBLE CARTRIDGE	REPLACEMENT SINGLE CARTRIDGE	REPLACEMENT DOUBLE CARTRIDGE
in.	mm					
24	600	D5-24	D5S-20E-24-105	D5S-20E-24-110	D5S-24-1	D5S-24-2
30	750	D5-30	D5S-20E-30-105	D5S-20E-30-110	D5S-30-1	D5S-30-2
36	900	D5-36	D5S-20E-36-105	D5S-20E-36-110	D5S-36-1	D5S-36-2
42	1050	D5-42	D5S-20E-42-105	D5S-20E-42-110	D5S-42-1	D5S-42-2
48	1200	D5-48	D5S-20E-48-105	D5S-20E-48-110	D5S-48-1	D5S-48-2
54	1350	D5-54	D5S-20E-54-105	D5S-20E-54-110	D5S-54-1	D5S-54-2
60	1500	D5-60	D5S-20E-60-105	D5S-20E-60-110	D5S-60-1	D5S-60-2
72	1800	D5-72	D5S-20E-72-105	D5S-20E-72-110	D5S-72-1	D5S-72-2

REPLACEMENT D6 SEALING SYSTEM

BELT WIDTH		REPLACEMENT ROLLER ¹	REPLACEMENT IDLER SINGLE CARTRIDGE	REPLACEMENT IDLER DOUBLE CARTRIDGE	REPLACEMENT SINGLE CARTRIDGE	REPLACEMENT DOUBLE CARTRIDGE
in.	mm					
24	600	D6-24	D6S-20E-24-105	D6S-20E-24-110	D6S-24-1	D6S-24-2
30	750	D6-30	D6S-20E-30-105	D6S-20E-30-110	D6S-30-1	D6S-30-2
36	900	D6-36	D6S-20E-36-105	D6S-20E-36-110	D6S-36-1	D6S-36-2
42	1050	D6-42	D6S-20E-42-105	D6S-20E-42-110	D6S-42-1	D6S-42-2
48	1200	D6-48	D6S-20E-48-105	D6S-20E-48-110	D6S-48-1	D6S-48-2
54	1350	D6-54	D6S-20E-54-105	D6S-20E-54-110	D6S-54-1	D6S-54-2
60	1500	D6-60	D6S-20E-60-105	D6S-20E-60-110	D6S-60-1	D6S-60-2
72	1800	D6-72	D6S-20E-72-105	D6S-20E-72-110	D6S-72-1	D6S-72-2

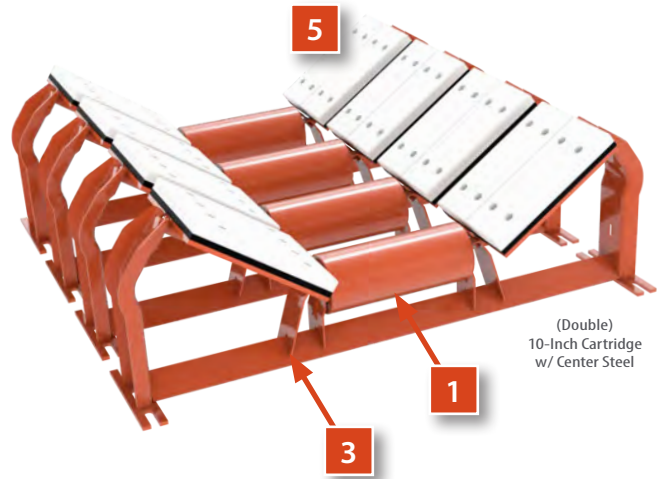
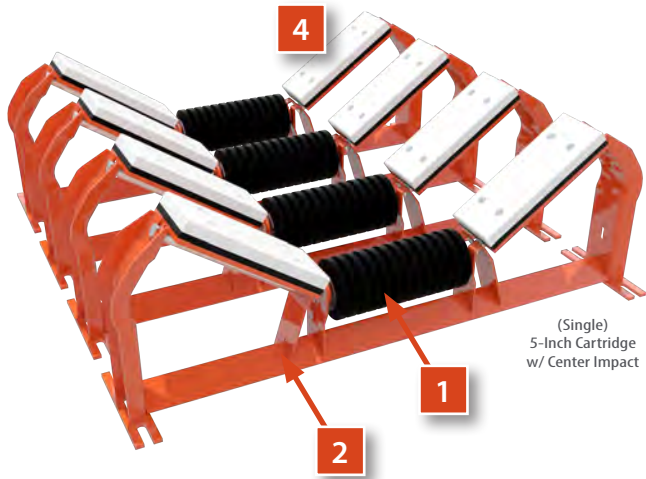
¹ ALSO AVAILABLE WITH IMPACT ROLLS (EX: D5S-20EI-42-110).

35 AND 45 DEGREE OPTIONS AVAILABLE UPON REQUEST. CEMA B OPTION AVAILABLE UPON REQUEST.

SEALING SYSTEM

REPLACEMENT PARTS

	PART	PART NUMBER
1	Replacement Roller	See Previous Page
2	Replacement Idler (Single Cartridge)	See Previous Page
3	Replacement Idler (Double Cartridge)	See Previous Page
4	Replacement Cartridge (Single)	See Previous Page
5	Replacement Cartridge (Double)	See Previous Page



SLIDER BED

COMPLETE ASSEMBLY



PART NUMBER GUIDE

CEMA Class	Idler Diameter	Product	Degree	Idler Style	Belt Width	Number of Frames	Bed Length
-------------------	-----------------------	----------------	---------------	--------------------	-------------------	-------------------------	-------------------

SAMPLE PART NUMBER: C5S-20E-36-560

REPLACEMENT C5 SLIDER BED

FULL BED OF 4 FRAMES	BELT WIDTH		REPLACEMENT ROLLER ¹	REPLACEMENT CARTRIDGE	REPLACEMENT SEAL BAR (448) 48" BAR	REPLACEMENT SEAL BAR (560) 60" BAR	REPLACEMENT SEAL BAR (448) 48" HARDWARE KIT	REPLACEMENT SEAL BAR (560) 60" HARDWARE KIT
	in.	mm						
C5S-20E-24-448	24	600	C5-24	32-000624	38-000026	38-000027	13-10128	13-10454
C5S-20E-30-448	30	750	C5-30	32-000625	38-000026	38-000027	13-10128	13-10454
C5S-20E-36-448	36	900	C5-36	32-000626	38-000026	38-000027	13-10128	13-10454
C5S-20E-42-448	42	1050	C5-42	32-000627	38-000026	38-000027	13-10128	13-10454
C5S-20E-48-448	48	1200	C5-48	32-000628	38-000026	38-000027	13-10128	13-10454
C5S-20E-54-448	54	1350	C5-54	32-000629	38-000026	38-000027	13-10128	13-10454
C5S-20E-60-448	60	1500	C5-60	32-000630	38-000026	38-000027	13-10128	13-10454
C5S-20E-72-448	72	1800	C5-72	32-000631	38-000026	38-000027	13-10128	13-10454

REPLACEMENT C6 SLIDER BED

FULL BED OF 4 FRAMES	BELT WIDTH		REPLACEMENT ROLLER ¹	REPLACEMENT CARTRIDGE	REPLACEMENT SEAL BAR (448) 48" BAR	REPLACEMENT SEAL BAR (560) 60" BAR	REPLACEMENT SEAL BAR (448) 48" HARDWARE KIT	REPLACEMENT SEAL BAR (560) 60" HARDWARE KIT
	in.	mm						
C6S-20E-24-448	24	600	C6-24	32-000624	38-000026	38-000027	13-10128	13-10454
C6S-20E-30-448	30	750	C6-30	32-000625	38-000026	38-000027	13-10128	13-10454
C6S-20E-36-448	36	900	C6-36	32-000626	38-000026	38-000027	13-10128	13-10454
C6S-20E-42-448	42	1050	C6-42	32-000627	38-000026	38-000027	13-10128	13-10454
C6S-20E-48-448	48	1200	C6-48	32-000628	38-000026	38-000027	13-10128	13-10454
C6S-20E-54-448	54	1350	C6-54	32-000629	38-000026	38-000027	13-10128	13-10454
C6S-20E-60-448	60	1500	C6-60	32-000630	38-000026	38-000027	13-10128	13-10454
C6S-20E-72-448	72	1800	C6-72	32-000631	38-000026	38-000027	13-10128	13-10454

REPLACEMENT D5 SLIDER BED

FULL BED OF 4 FRAMES	BELT WIDTH		REPLACEMENT ROLLER ¹	REPLACEMENT CARTRIDGE	REPLACEMENT SEAL BAR (448) 48" BAR	REPLACEMENT SEAL BAR (560) 60" BAR	REPLACEMENT SEAL BAR (448) 48" HARDWARE KIT	REPLACEMENT SEAL BAR (560) 60" HARDWARE KIT
	in.	mm						
D5S-20E-24-448	24	600	D5-24	32-000624	38-000026	38-000027	13-10128	13-10454
D5S-20E-30-448	30	750	D5-30	32-000625	38-000026	38-000027	13-10128	13-10454
D5S-20E-36-448	36	900	D5-36	32-000626	38-000026	38-000027	13-10128	13-10454
D5S-20E-42-448	42	1050	D5-42	32-000627	38-000026	38-000027	13-10128	13-10454
D5S-20E-48-448	48	1200	D5-48	32-000628	38-000026	38-000027	13-10128	13-10454
D5S-20E-54-448	54	1350	D5-54	32-000629	38-000026	38-000027	13-10128	13-10454
D5S-20E-60-448	60	1500	D5-60	32-000630	38-000026	38-000027	13-10128	13-10454
D5S-20E-72-448	72	1800	D5-72	32-000631	38-000026	38-000027	13-10128	13-10454

REPLACEMENT D6 SLIDER BED

FULL BED OF 4 FRAMES	BELT WIDTH		REPLACEMENT ROLLER ¹	REPLACEMENT CARTRIDGE	REPLACEMENT SEAL BAR (448) 48" BAR	REPLACEMENT SEAL BAR (560) 60" BAR	REPLACEMENT SEAL BAR (448) 48" HARDWARE KIT	REPLACEMENT SEAL BAR (560) 60" HARDWARE KIT
	in.	mm						
D6S-20E-24-448	24	600	D6-24	32-000624	38-000026	38-000027	13-10128	13-10454
D6S-20E-30-448	30	750	D6-30	32-000625	38-000026	38-000027	13-10128	13-10454
D6S-20E-36-448	36	900	D6-36	32-000626	38-000026	38-000027	13-10128	13-10454
D6S-20E-42-448	42	1050	D6-42	32-000627	38-000026	38-000027	13-10128	13-10454
D6S-20E-48-448	48	1200	D6-48	32-000628	38-000026	38-000027	13-10128	13-10454
D6S-20E-54-448	54	1350	D6-54	32-000629	38-000026	38-000027	13-10128	13-10454
D6S-20E-60-448	60	1500	D6-60	32-000630	38-000026	38-000027	13-10128	13-10454
D6S-20E-72-448	72	1800	D6-72	32-000631	38-000026	38-000027	13-10128	13-10454

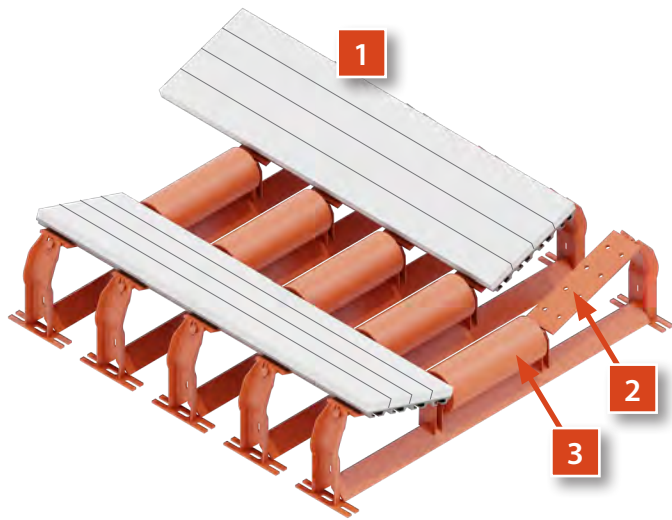
¹ ALSO AVAILABLE WITH IMPACT ROLLS (EX: D5S-20EI-42-560).

35 AND 45 DEGREE OPTIONS AVAILABLE UPON REQUEST. CEMA B OPTION AVAILABLE UPON REQUEST.

SLIDER BED

REPLACEMENT PARTS

	PART	PART NUMBER
1	Replacement Bars	See Previous Page
2	Steel Cartridges	See Previous Page
3	Rollers	See Previous Page
4	Hardware Kit	See Below



HARDWARE KIT

LENGTH	PART NUMBER
48"	13-10128
60"	13-10454
72"	13-10455

TRANSITION SYSTEM

COMPLETE ASSEMBLY



Transition Idlers

PART NUMBER GUIDE

PRODUCT	DESCRIPTION	CEMA CLASS	ROLL DIAMETER	IDLER STYLE	BELT WIDTH	SAMPLE PART NUMBER
Transition Bed	MT0 = 0-5 deg	C	4	E (Equal Trough)	18-72	MT1-C5-EI-36
	MT1 = 10-15 deg	D	5	EI (Impact Idler)		
	MT2 = 20-25 deg	E	6			
	MT3 = 30-35 deg					
	MT4 = 40-45 deg					

CEMA C TRANSITION IDLERS

BELT WIDTH		0-5 DEGREE	10-15 DEGREE	20-25 DEGREE	30-35 DEGREE	40-45 DEGREE
in.	mm					
18	450	MT0-C5-E-18	MT1-C5-E-18	MT2-C5-E-18	MT3-C5-E-18	MT4-C5-E-18
24	600	MT0-C5-E-24	MT1-C5-E-24	MT2-C5-E-24	MT3-C5-E-24	MT4-C5-E-24
30	750	MT0-C5-E-30	MT1-C5-E-30	MT2-C5-E-30	MT3-C5-E-30	MT4-C5-E-30
36	900	MT0-C5-E-36	MT1-C5-E-36	MT2-C5-E-36	MT3-C5-E-36	MT4-C5-E-36
42	1050	MT0-C5-E-42	MT1-C5-E-42	MT2-C5-E-42	MT3-C5-E-42	MT4-C5-E-42
48	1200	MT0-C5-E-48	MT1-C5-E-48	MT2-C5-E-48	MT3-C5-E-48	MT4-C5-E-48
54	1350	MT0-C5-E-54	MT1-C5-E-54	MT2-C5-E-54	MT3-C5-E-54	MT4-C5-E-54
60	1500	MT0-C5-E-60	MT1-C5-E-60	MT2-C5-E-60	MT3-C5-E-60	MT4-C5-E-60
66	1650	MT0-C5-E-66	MT1-C5-E-66	MT2-C5-E-66	MT3-C5-E-66	MT4-C5-E-66
72	1800	MT0-C5-E-72	MT1-C5-E-72	MT2-C5-E-72	MT3-C5-E-72	MT4-C5-E-72

CEMA D TRANSITION IDLERS

BELT WIDTH		0-5 DEGREE	10-15 DEGREE	20-25 DEGREE	30-35 DEGREE	40-45 DEGREE
in.	mm					
18	450	MT0-D5-E-18	MT1-D5-E-18	MT2-D5-E-18	MT3-D5-E-18	MT4-D5-E-18
24	600	MT0-D5-E-24	MT1-D5-E-24	MT2-D5-E-24	MT3-D5-E-24	MT4-D5-E-24
30	750	MT0-D5-E-30	MT1-D5-E-30	MT2-D5-E-30	MT3-D5-E-30	MT4-D5-E-30
36	900	MT0-D5-E-36	MT1-D5-E-36	MT2-D5-E-36	MT3-D5-E-36	MT4-D5-E-36
42	1050	MT0-D5-E-42	MT1-D5-E-42	MT2-D5-E-42	MT3-D5-E-42	MT4-D5-E-42
48	1200	MT0-D5-E-48	MT1-D5-E-48	MT2-D5-E-48	MT3-D5-E-48	MT4-D5-E-48
54	1350	MT0-D5-E-54	MT1-D5-E-54	MT2-D5-E-54	MT3-D5-E-54	MT4-D5-E-54
60	1500	MT0-D5-E-60	MT1-D5-E-60	MT2-D5-E-60	MT3-D5-E-60	MT4-D5-E-60
66	1650	MT0-D5-E-66	MT1-D5-E-66	MT2-D5-E-66	MT3-D5-E-66	MT4-D5-E-66
72	1800	MT0-D5-E-72	MT1-D5-E-72	MT2-D5-E-72	MT3-D5-E-72	MT4-D5-E-72

CEMA E TRANSITION IDLERS

BELT WIDTH		0-5 DEGREE	10-15 DEGREE	20-25 DEGREE	30-35 DEGREE	40-45 DEGREE
in.	mm					
18	450	MT0-E5-E-18	MT1-E5-E-18	MT2-E5-E-18	MT3-E5-E-18	MT4-E5-E-18
24	600	MT0-E5-E-24	MT1-E5-E-24	MT2-E5-E-24	MT3-E5-E-24	MT4-E5-E-24
30	750	MT0-E5-E-30	MT1-E5-E-30	MT2-E5-E-30	MT3-E5-E-30	MT4-E5-E-30
36	900	MT0-E5-E-36	MT1-E5-E-36	MT2-E5-E-36	MT3-E5-E-36	MT4-E5-E-36
42	1050	MT0-E5-E-42	MT1-E5-E-42	MT2-E5-E-42	MT3-E5-E-42	MT4-E5-E-42
48	1200	MT0-E5-E-48	MT1-E5-E-48	MT2-E5-E-48	MT3-E5-E-48	MT4-E5-E-48
54	1350	MT0-E5-E-54	MT1-E5-E-54	MT2-E5-E-54	MT3-E5-E-54	MT4-E5-E-54
60	1500	MT0-E5-E-60	MT1-E5-E-60	MT2-E5-E-60	MT3-E5-E-60	MT4-E5-E-60
66	1650	MT0-E5-E-66	MT1-E5-E-66	MT2-E5-E-66	MT3-E5-E-66	MT4-E5-E-66
72	1800	MT0-E5-E-72	MT1-E5-E-72	MT2-E5-E-72	MT3-E5-E-72	MT4-E5-E-72

TRANSITION SYSTEM

REPLACEMENT PARTS

	PART	PART NUMBER
1	Center Frame	See Below
2	Wing Frame	See Below
3	Base Frame	See Below
4	Locking Pin	13-04512

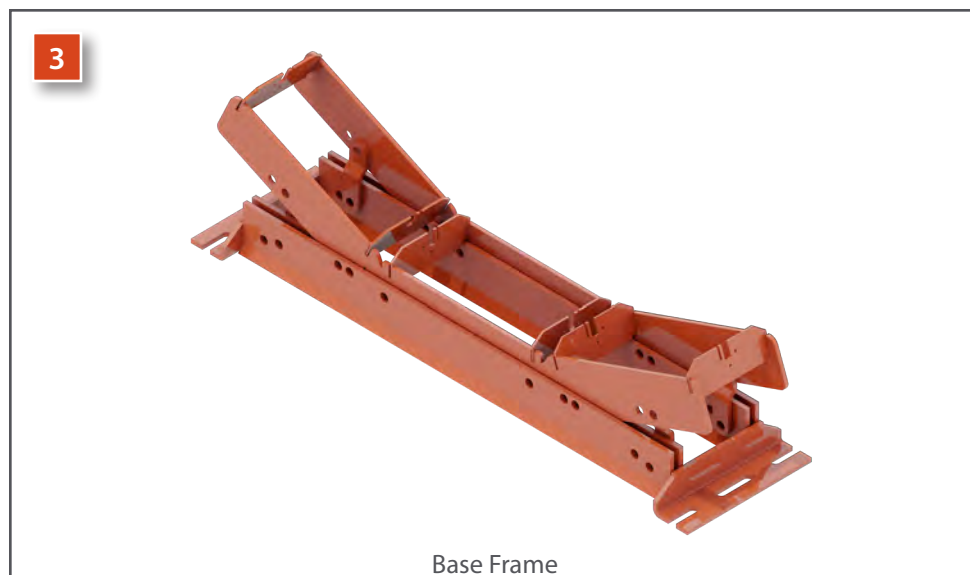


REPLACEMENT FRAMES

BELT WIDTH		CENTER FRAME PART NUMBER	WING FRAME PART NUMBER
in.	mm		
18	450	49-CC18	49-CW18
24	600	49-CC24	49-CW24
30	750	49-CC30	49-CW30
36	900	49-CC36	49-CW36
42	1050	49-CC42	49-CW42
48	1200	49-CC48	49-CW48
54	1350	49-CC54	49-CW54
60	1500	49-CC60	49-CW60
66	1650	49-CC66	49-CW66
72	1800	49-CC72	49-CW72



BELT WIDTH		0-5 DEGREE	10-15 DEGREE	20-25 DEGREE	30-35 DEGREE	40-45 DEGREE
in.	mm					
18	450	70C-MT0-18	70C-MT1-18	70C-MT2-18	70C-MT3-18	70C-MT4-18
24	600	70C-MT0-24	70C-MT1-24	70C-MT2-24	70C-MT3-24	70C-MT4-24
30	750	70C-MT0-30	70C-MT1-30	70C-MT2-30	70C-MT3-30	70C-MT4-30
36	900	70C-MT0-36	70C-MT1-36	70C-MT2-36	70C-MT3-36	70C-MT4-36
42	1050	70C-MT0-42	70C-MT1-42	70C-MT2-42	70C-MT3-42	70C-MT4-42
48	1200	70C-MT0-48	70C-MT1-48	70C-MT2-48	70C-MT3-48	70C-MT4-48
54	1350	70C-MT0-54	70C-MT1-54	70C-MT2-54	70C-MT3-54	70C-MT4-54
60	1500	70C-MT0-60	70C-MT1-60	70C-MT2-60	70C-MT3-60	70C-MT4-60
66	1650	70C-MT0-66	70C-MT1-66	70C-MT2-66	70C-MT3-66	70C-MT4-66
72	1800	70C-MT0-72	70C-MT1-72	70C-MT2-72	70C-MT3-72	70C-MT4-72



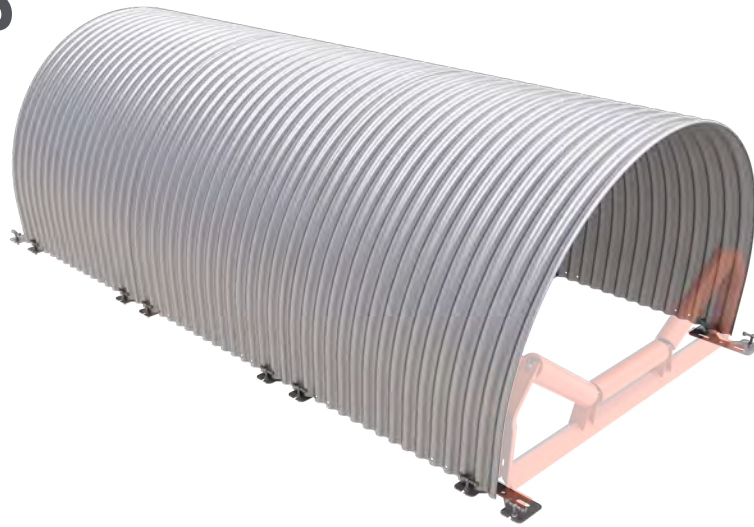
ALSO AVAILABLE IN CEMA CLASS B, D, AND E.



¹ QUANTITY (16) REQUIRED FOR COMPLETE IDLER ASSEMBLY.

BELT COVERS

COMPLETE ASSEMBLY

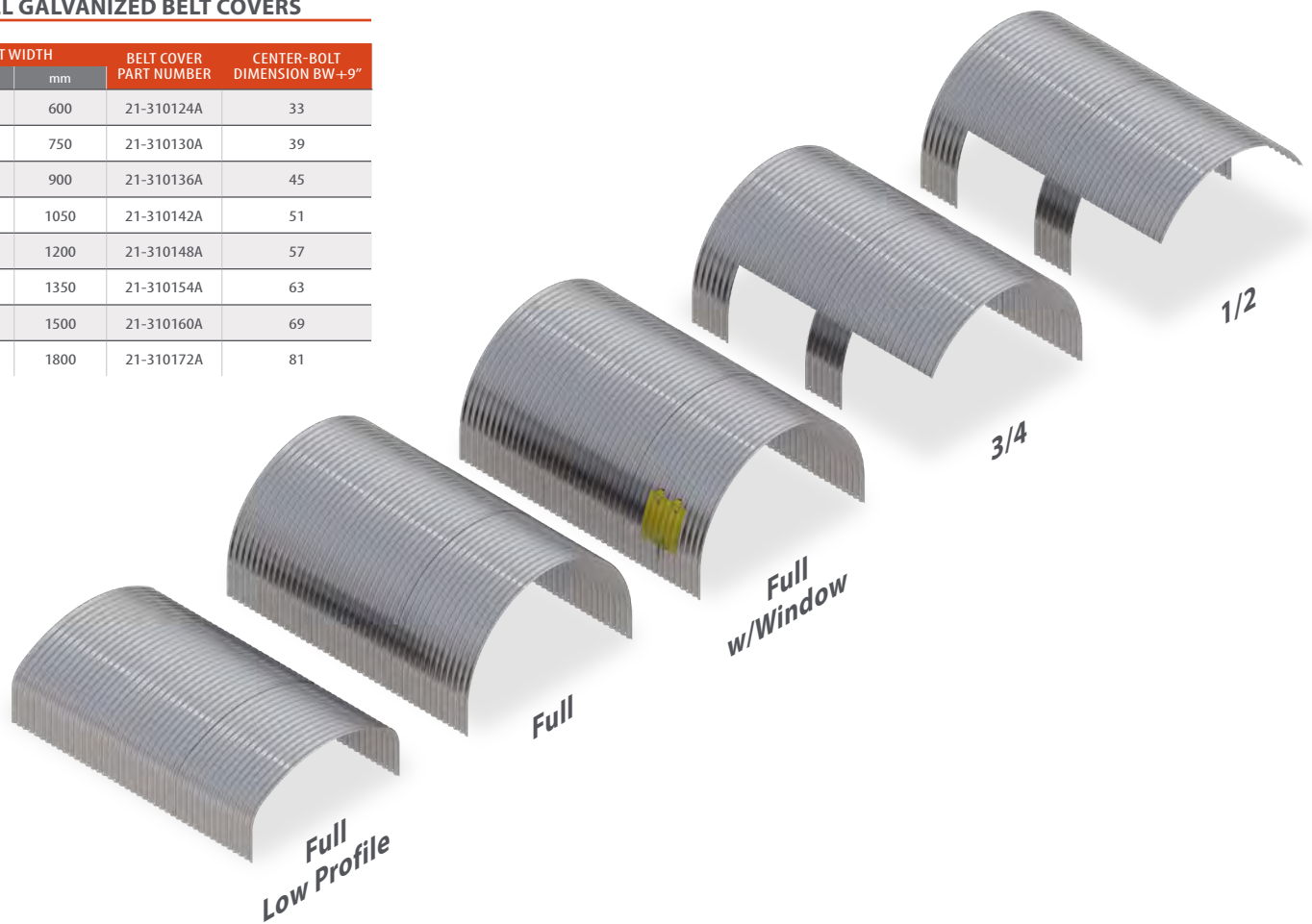


PART NUMBER GUIDE

PRODUCT	MATERIAL	STYLE	BELT WIDTH	HARDWARE	SAMPLE PART NUMBER
(21-3) Belt Cover	(1) Galvanized	(01) Full Cover, 48"	18-72	(A) Bracket "A" 26-220031	21-310124A
	(2) Lacquered Steel	(02) 3/4 Cover, 48"		(B) Bracket "B" 26-220034	
	(3) HPS 200	(03) 1/2" Cover, 48"			
	(4) Stainless Steel	(04) Full Cover w/Window, 48"			
	(5) Aluminum	(05) Full Low Profile, 48"			
	(6) Fiberglass				

48" FULL GALVANIZED BELT COVERS

BELT WIDTH		BELT COVER PART NUMBER	CENTER-BOLT DIMENSION BW+9"
in.	mm		
24	600	21-310124A	33
30	750	21-310130A	39
36	900	21-310136A	45
42	1050	21-310142A	51
48	1200	21-310148A	57
54	1350	21-310154A	63
60	1500	21-310160A	69
72	1800	21-310172A	81



BELT COVERS

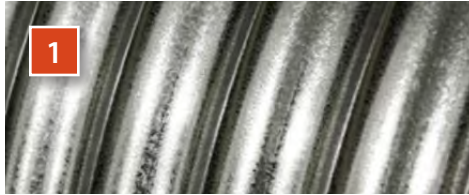
REPLACEMENT PARTS

COVER STYLES

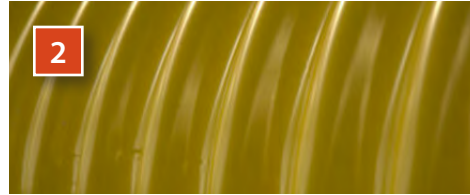
STYLE	BELT WIDTH
Full Cover	48"
3/4 Cover	48"
1/2 Cover	48"
Full Cover w/Window	48"
Full Low Profile	48"

COVER MATERIALS

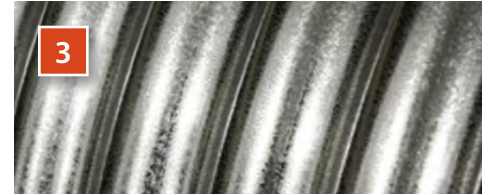
MATERIAL	RATING
(1) Galvanized	Approved corrosive resistance in nearly every environment.
(2) Lacquered Steel	Colored to blend in with surroundings or branding.
(3) HPS 200	Fiber reinforced polyester, colored covers for highly corrosive environments.
(4) Stainless Steel	Highly corrosive environments.
(5) Aluminum	Lightest weight material for easy manipulation.
(6) Fiberglass	Avoid contamination in the food industries.



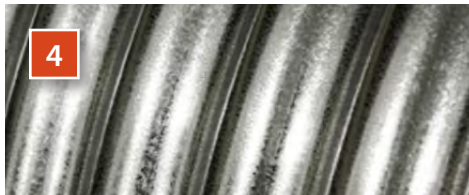
Galvanized



Lacquered Steel



HPS 200



Stainless Steel



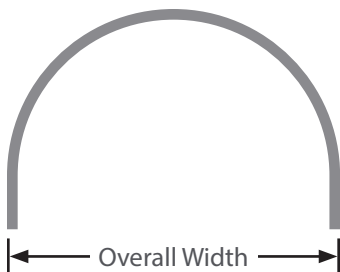
Aluminum



Fiberglass

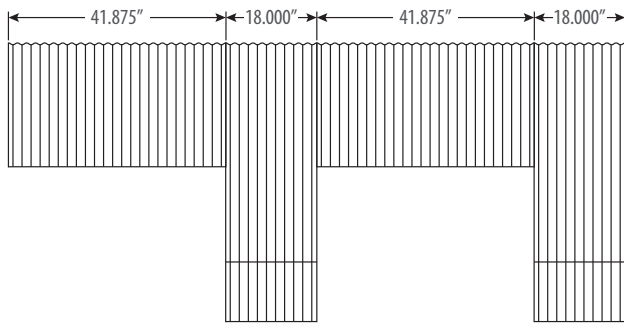
MOUNTING WIDTH DIMENSIONS

BELT WIDTH		BOLT HOLES	(01) FULL COVER, 48"	(02) 3/4 COVER, 48"	(03) 1/2" COVER, 48"	(04) FULL COVER W/WINDOW, 48"	(05) FULL LOW PROFILE, 48"
in.	mm	Center to Center Width (mm)	Overall Width (mm)	Overall Width (mm)	Overall Width (mm)	Overall Width (mm)	Overall Width (mm)
24	600	33" (838)	39" (990)	37.5" (952)	37.5" (952)	39" (990)	39" (990)
30	750	39" (990)	45" (1143)	43.5" (1104)	43.5" (1104)	45" (1143)	45" (1143)
36	900	45" (1143)	51" (1295)	49.5" (1257)	49.5" (1257)	51" (1295)	51" (1295)
42	1050	51" (1295)	57" (1447)	55.5" (1409)	55.5" (1409)	57" (1447)	57" (1447)
48	1200	57" (1447)	63" (1600)	61.5" (1562)	61.5" (1562)	63" (1600)	63" (1600)
54	1350	63" (1600)	69" (1752)	67.5" (1714)	67.5" (1714)	69" (1752)	69" (1752)
60	1500	69" (1752)	75" (1905)	73.5" (1866)	73.5" (1866)	75" (1905)	75" (1905)
72	1800	81" (2057)	87" (2209)	85.5" (2171)	85.5" (2171)	87" (2209)	87" (2209)

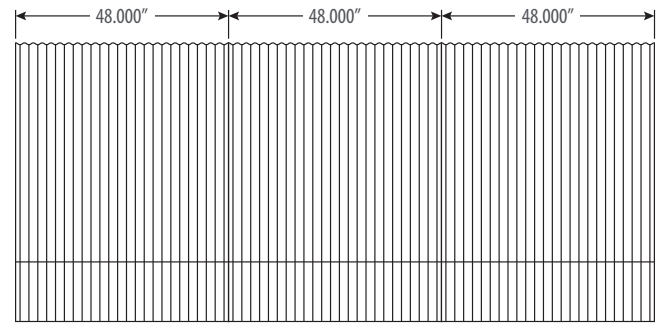


BELT COVERS

REPLACEMENT PARTS



Partial Coverage Covers



Full Coverage Covers

PARTIAL COVERS UTILIZE SUPPORT COVER SECTIONS FOR MOUNTING DIRECTLY TO FRAMING WITHOUT A BRACKET.

COVER MOUNTING KITS

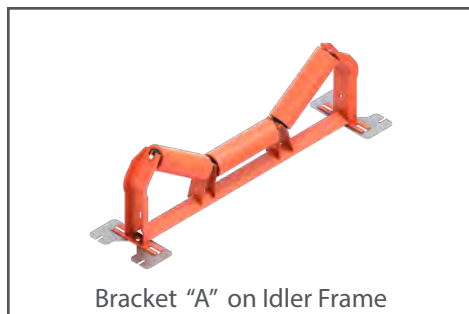
	MOUNTING KIT A 18-00201 PER/COVER ORDER	MOUNTING KIT B 18-00200 PER/COVER	DIRECT MOUNTING KIT 18-00202 PER/SUPPORT COVER
(01) Full Cover, 48"	2(X) + 2	4	N/A
(02) 3/4 Cover, 48"	N/A	N/A	1
(03) 1/2" Cover, 48"	N/A	N/A	1
(04) Full Cover w/Window, 48"	2(X) + 2	4	N/A
(05) Full Low Profile, 48"	2(X) + 2	4	N/A

X = NUMBER OF COVERS

(1) SUPPORT COVER PER PARTIAL COVER

MOUNTING HARDWARE

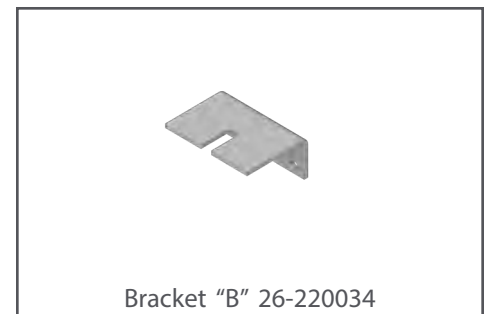
HARDWARE	HARDWARE PART NUMBER	HARDWARE KIT PART NUMBER
Bracket "A" w/ Zinc Coating	26-220031	18-00201
Bracket "B" w/ Zinc Coating	26-220034	18-00200



Bracket "A" on Idler Frame



Bracket "A" 26-220031¹



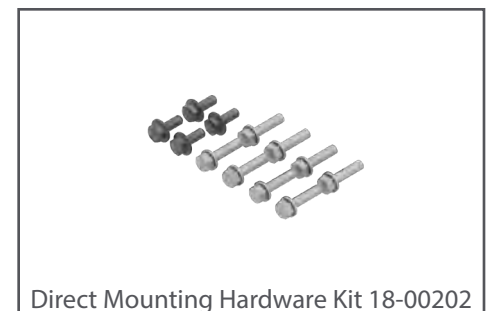
Bracket "B" 26-220034



Hardware Kit "A" 18-00201



Hardware Kit "B" 18-00200



Direct Mounting Hardware Kit 18-00202

¹ STANDARD BRACKET

SONICSCOUT MATERIAL SENSORS

COMPLETE ASSEMBLY



BELT WIDTH		PART NUMBER	ASSEMBLY PART NUMBER
in.	mm		
24-48	600-1200	24-48BW	18-10002
54-72	1350-1800	54-72BW	18-10003

SONICSCOUT SENSOR REPLACEMENT PART NUMBERS

BELT WIDTH		SONICSCOUT SENSOR REPLACEMENT PART NUMBERS
in.	mm	
24-48	600-1200	32-000071
54-72	1350-1800	32-000072

DESCRIPTION	REPLACEMENT PART NUMBERS
Sensor	11-00966
Cord	11-01122

INSPECTION DOORS

COMPLETE ASSEMBLY



Hatchguard Safety Screen

REPLACEMENT INSPECTION DOORS

OPENING SIZE	EQUIPMENT CUTOUT	OUTSIDE DIMENSIONS	HINGE/LATCH QTY	PART NUMBER
8" x 8"	10" x 10"	12" x 12"	2&1	21-00713
12" x 12"	14" x 14"	16" x 16"	2&1	21-00714
12" x 18"	14" x 20"	16" x 22"	2&1	21-00717
14" x 18"	16" x 20"	18" x 22"	2&1	21-00702
16" x 16"	18" x 18"	20" x 20"	2&1	21-00715
18" x 18"	20" x 20"	22" x 22"	2&1	21-00716
18" x 24"	20" x 26"	22" x 28"	3&2	21-00718
20" x 24"	22" x 26"	24" x 28"	3&2	21-00700
24" x 24"	26" x 26"	28" x 28"	3&2	21-00701

OPTIONAL HATCHGUARD SAFETY SCREEN

OPENING SIZE	EQUIPMENT	PART NUMBER
8" x 8"	Fits in 21-00713	21-00707
12" x 12"	Fits in 21-00714	21-00708
12" x 18"	Fits in 21-00717	21-00709
14" x 18"	Fits in 21-00702	21-00705
16" x 16"	Fits in 21-00715	21-00710
18" x 18"	Fits in 21-00716	21-00711
18" x 24"	Fits in 21-00718	21-00712
20" x 24"	Fits in 21-00700	21-00704
24" x 24"	Fits in 21-00701	21-00706

BELT SPEED SENSORS

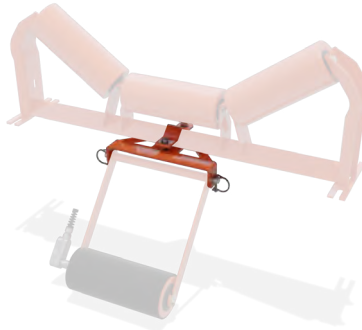
COMPLETE ASSEMBLY

CLEAN SIDE SPEED SENSOR



DESCRIPTION	PART NUMBER
Clean Side Roll Speed Sensor	26-100001
Speed Roll ¹	D5-36LAG.25SPEED

CLEAN SIDE MOUNTING BRACKET



DESCRIPTION	PART NUMBER
Clean Side Mounting Bracket	26-100002

TROUGHING SIDE SPEED SENSOR



DESCRIPTION	PART NUMBER
Trough Roll	C5-36SPEED
Trough Roll w/ Lagging	C4-36LAG.5SPEED
Trough Idler w/ Speed Sensor Roll	C5-35E-36SPEED

RETURN SIDE SPEED SENSOR



DESCRIPTION	PART NUMBER
Return Roll	C5-RET-36SPEED
Return Roll w/ Lagging	C4-RET-36LAG.5SPEED

SPEED SENSOR MODULE



DESCRIPTION	PART NUMBER
DD2503 Speed Sensor Module	11-04136

COMPOSITE MODULE ENCLOSURE



DESCRIPTION	PART NUMBER
Module Enclosure - Composite	11-04229

STEEL MODULE ENCLOSURE



DESCRIPTION	PART NUMBER
Module Enclosure - Steel	11-04230

POWER CORD



DESCRIPTION	PART NUMBER
Power Cord	11-04204

Customer to specify length required

SPEED CONVERTER



DESCRIPTION	PART NUMBER
Sensor Converter	11-04557

¹ SPEED SENSOR CAN BE ADDED TO ANY STYLE OF ROLL. THESE ROLLS CAN THEN BE FITTED TO IDLERS OR RETURN BRACKETS.

SENSOR DOES NOT COME WITH WIRE. CONNECTION CAN BE MADE IN JUNCTION BOX.

BELT SPEED SENSORS



Do I need a module?

Do you own a PLC?

YES

NO

Do you have a PNP
DC I/O Card (24STD) V supply?

**Module
Needed**

YES

NO

No additional
electronics needed

Do you have an
AC I/O Card

YES

NO

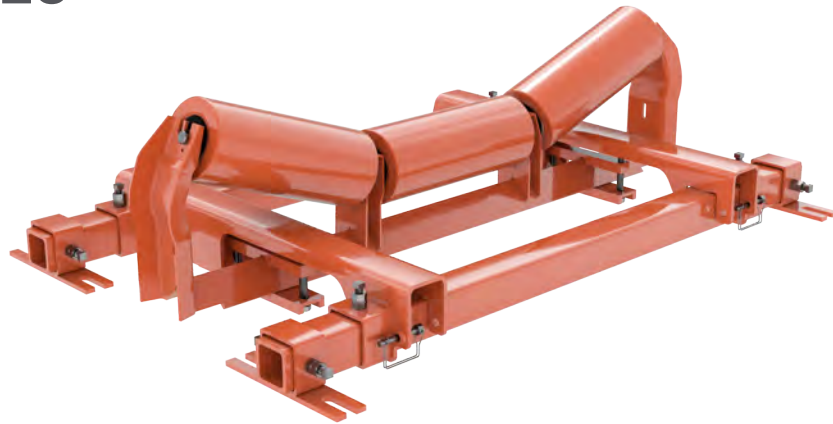
Converter
Needed

**Module
Needed**



BELT SCALES

COMPLETE ASSEMBLY



SCALE IDLER PART NUMBER GUIDE

PRODUCT	IDLER CLASS	ROLL DIAMETER	TROUGH ANGLE	TROUGH TYPE	BELT WIDTH	IDLER TYPE	SAMPLE PART NUMBER
Belt Scale Idlers	B	4	20	E	24-72	SCALE ¹	C5-35E-36 SCALE
	C	5	35			SCALE QUALITY ²	C5-35E-36SQ
	D	6	45				
	E	7					

¹ IDLER IN THE SCALE. ² IDLERS PLACED BEFORE AND AFTER THE SCALE.

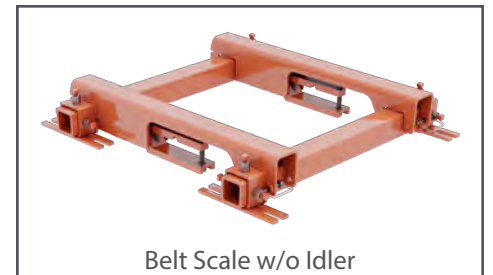
SPECIFICATIONS

DESCRIPTION	SPECIFICATION
Accuracy	± 1/2%
Weigh Bridge Material	Steel
Idler Qty	1
Belt Width	Up to 72"
Capacity	3000TPH
Belt Speed	
Input Power	12-24VDC
Inputs/Outputs	3-Apr
Addl Outputs	(3) Relay
Enclosure	Outdoor
Operating Temp	-15 - +60 C
Load Cells	2
Integrator	Yes
Speed sensor	Yes
Angle Compensator	Yes
Wireless Communication	Standard
Chart Recorders	
Ticket/Tape Printers	Optional
Remote Rate Displays	Optional
Scoreboard Displays	Optional
Networking Comm.	Optional
Ports	RS232/RS232
Warranty	2yr
On-line Configurator	No
Plant Monitoring	Yes

SCALE QUALITY ROLLS

BELT WIDTH		PART NUMBER
in.	mm	
18	450	C5-18SQ
24	600	C5-24SQ
30	750	C5-30SQ
36	900	C5-36SQ
42	1050	C5-42SQ
48	1200	C5-48SQ
54	1350	C5-54SQ
60	1500	C5-60SQ
72	1800	C5-72SQ

AVAILABLE IN CEMA B, C, D AND E AS WELL AS 4", 5", 6" AND 7" DIAMETER ROLLS.



Belt Scale w/o Idler

BELT SCALES

REPLACEMENT PARTS

JUNCTION BOX AND ASSOCIATED PARTS

DESCRIPTION	PART NUMBER
Vibration Dampeners for Junction box	21-00490
Hardware kit for vibrational dampeners	18-01427
Junction Box	11-03657
Communication Cable Between Integrator/J-box	11-03676



BASE MODEL REQUIRED ITEMS

DESCRIPTION	QUANTITY	PART
Scale Frame	1	SCALE-0XXX-0XX
Integrator	1	11-01990
Speed Sensor Assembly	1	49-000708
Scale Idler	1	See Idler Part Number Guide
Scale Quality Idlers	4	See Idler Part Number Guide

INTEGRATOR AND SENSORS

DESCRIPTION	PART NUMBER
Integrator	11-01990
Speed Sensor Assembly	49-000708
Angle Sensor	11-01993



INTERNAL PARTS

DESCRIPTION	PART NUMBER
DC to DC Converter	11-02093
Noise Spike Filter	11-02094
Sensor Board (No Connectors)	11-02095
Integrator Board w/ Display	11-02096
Terminal Board (No Connectors)	11-02097
I/O Board Kit (No Connectors)	11-02098
VAC 110-120 Power Supply Kit	11-02099
Page 19 Speed Sensor Board Kit	11-02100
2 Pos Molex Connector	11-02101
3 Pos Molex Connector	11-02102
4 Pos Molex Connector	11-02103
Belt Scale Keypad	11-02104
Integrator Faceplate	11-02105
Junction Box Faceplate	11-02106

ACCESSORIES

DESCRIPTION	PART NUMBER
Ticket Printer, 12VDC	11-02112
Ticket Printer, 110/220AC	11-02113
Scoreboard Display, 2" LED	11-02114
Scoreboard Display 4" LED	11-02115
Scoreboard Display 6" LED	11-02116
Wireless Remote Kit, Remote Display Access Point	11-02117
Wireless Scale Kit, Scale Access Point	11-02118
Remote Touchscreen Display 4"	11-02119
Remote Touchscreen Display 7"	11-02120

BELT SCALE APPLICATION FORM

GENERAL INFORMATION

Name	
Email Address	
Phone Number	

Submitted By	
Project Name	

CONVEYOR DATA

Conveyor Type (Portable, Stacker, Stationary, etc.)

What are you using the scale for?

Inventory
Production Control
Load Out to Trucks/Rail

Any special idler type?

Troughed
Channel Mount/ Inset
40 Series
Flat

Where do you want the display/integrator?

At Scale
Remote

If remote, how far away will the remote be? (Max 1000')

Conditions

Vibrations
Folding
Side Wind
Indoors
Frequent Start/Stops
Other (explain below)

Belt Width

Max Rate TPH

Idler CEMA Class

Belt Speed

Product Lump Size

Material Density (PCF)

Accuracy Required

Roll Diameter

Trough Angle

Idler Spacing

Conveyor Angle

Material Type

Power Available for Scale (i.e. 120VAC)

Any special requirements?

NOTE: Maximum distance from integrator to scale is 25-ft. If the integrator cannot be mounted within 25-ft. of the scale, a junction box will be required.

Additional Options

Displays
Scoreboards
Wireless Options
Other (explain below)

BELT SCALE CHECK LIST

A basic scale requires the following:

- Scale Frame with Load Cells
- Integrator
- Speed Sensor Assembly
- One Scale Idler
- Four Scale Quality Idlers

If the unit will be powered with DC from a generator the following is suggested:

- Power Noise/Spike Filter

If the conveyor is portable or moves vertically or radially it requires:

- Angle Sensor

If the integrator will be more than 25-feet from the scale, the following are required:

- Junction Box
- Vibration Dampers
- Hardware Kit for Vibration Dampers
- Communication Cable

There are a number of other options available:

- Remote Displays
- Scoreboard
- Wireless Connections
- Ticket Printer

BELT ALIGNMENT SENSOR

COMPLETE ASSEMBLY



BA-2 Belt Aligner



TA-2 Belt Aligner

REPLACEMENT PART NUMBERS

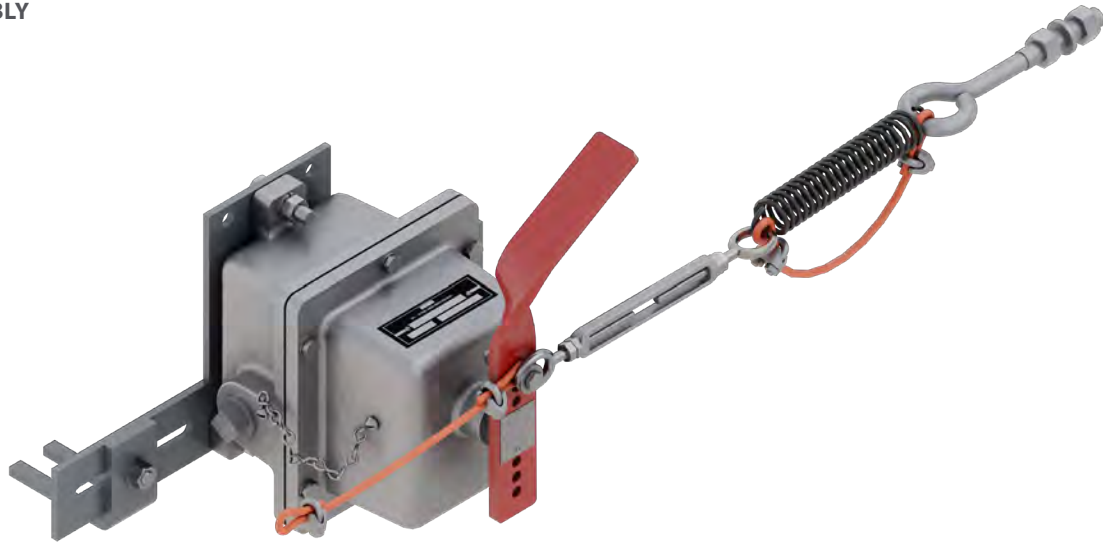
DESCRIPTION	PART NUMBER
BA-2, 1 Double Pole/Double Throw Switch, Dual Circuit Control, Heavy Duty	11-03675
TA-2, 2 Single Pole/Double Throw Switch, Dual Circuit Control, Standard Duty	11-00759
Replacement Rod For The TA-2 Emergency Stop	11-01283



Replacement Rod

E-STOPS

COMPLETE ASSEMBLY



REPLACEMENT SAFETY SWITCH

DESCRIPTION	PART #
RS1, 1 Single Pole/Double Throw Switch, Single Circuit Control, NEMA 4	11-03718
RS2, 2 Single Pole/Double Throw Switches, Dual Circuit Control, NEMA 4	11-00508



RS1 Single Pole E-Stop

REPLACEMENT MOUNTING BRACKETS

DESCRIPTION	PART NUMBER
E-Stop Bracket, RS-2, 5" Tall, Weld-On	10-01681
E-Stop Bracket, RS-2, 5-1/4" Tall, Bolt-On	10-02083
E-Stop Bracket, RS-2, 6" Tall, Bolt-On	10-04009
E-Stop Bracket, RS-2, 8-13/16" Tall, Bolt-On	10-04576
E-Stop Bracket, RS-2, 11" Tall, Bolt-On	10-01600
E-Stop Bracket, RS-2, 14" Tall, Bolt-On	10-01400
E-Stop Bracket, RS-2, 18" Tall, Bolt-On	10-01398



Mounting Brackets

ACCESSORIES

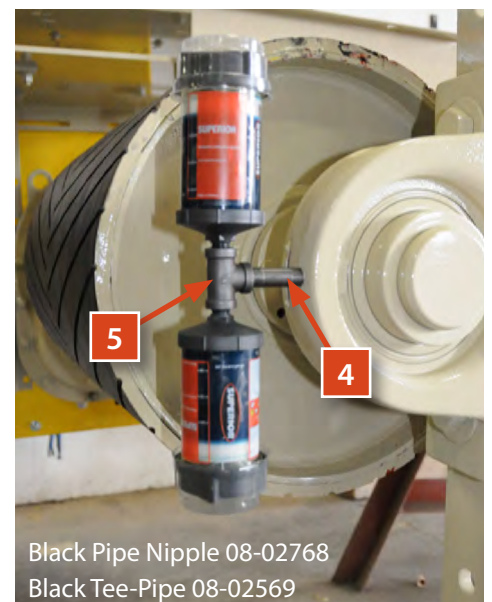
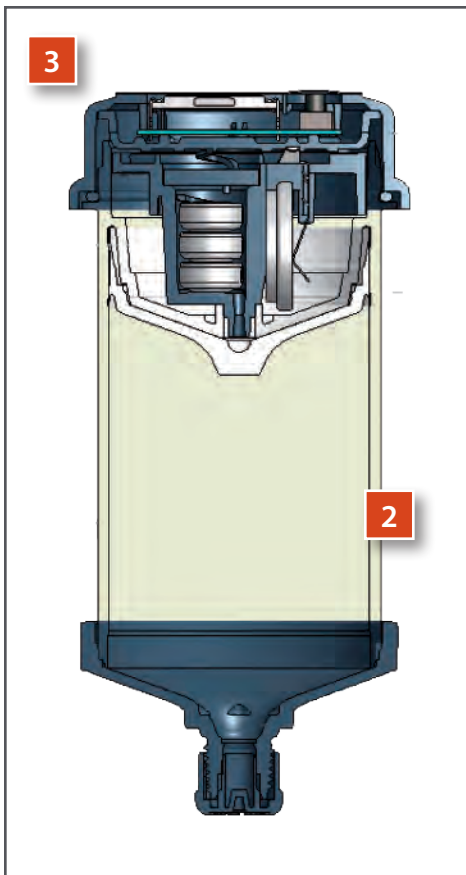
DESCRIPTION	PART NUMBER
Cable, Vinyl-Coated, 3/16, Red, 1/8-Bare	13-00513
Clamp, Cable, 1/8	13-00492
Bit, Eye, 3/8, 4	13-00491

AUTO GREASER

COMPLETE ASSEMBLY



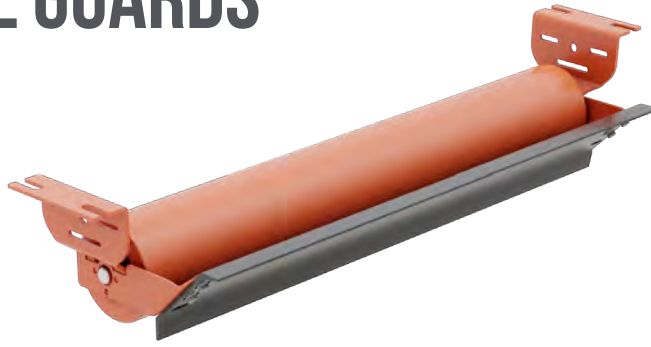
	PART NUMBER	DESCRIPTION
1	03-03001	Auto Lubricator Cap
2	03-03002	Auto Lubricator Cartridge and Dust Cover (Dust Cover not shown)
3	03-03003	Kit (Auto Lubricator Cartridge, Cap, and Dust Cover)
4	08-02768	Black Pipe Nipple
5	08-02569	Black Tee-Pipe
6	08-10025	Adaptor



STANDARD GREASE IS MOBIL XHP 220 SERIES

RETURN ROLL GUARDS

COMPLETE ASSEMBLY



STANDARD RETURN ROLL GUARDS- 1.5", 4.5" DROPS AND CM SLOTTED

BELT WIDTH		REPLACEMENT GUARD PART #	DESCRIPTION	RETURN GUARD PART #
in.	mm			
18	450	38-441518	GUARD,ASSEMBLY,RET-FLT,CEMA B,C,D	44-050118
24	600	38-441724	GUARD,ASSEMBLY,RET-FLT,CEMA B,C,D	44-050124
30	750	38-441830	GUARD,ASSEMBLY,RET-FLT,CEMA B,C,D	44-050130
36	900	38-441936	GUARD,ASSEMBLY,RET-FLT,CEMA B,C,D	44-050136
42	1050	38-442042	GUARD,ASSEMBLY,RET-FLT,CEMA B,C,D	44-050142
48	1200	38-442148	GUARD,ASSEMBLY,RET-FLT,CEMA B,C,D	44-050148
54	1350	38-442254	GUARD,ASSEMBLY,RET-FLT,CEMA B,C,D	44-050154
60	1500	38-442360	GUARD,ASSEMBLY,RET-FLT,CEMA B,C,D	44-050160
72	1800	38-442472	GUARD,ASSEMBLY,RET-FLT,CEMA B,C,D	44-050172

STANDARD RETURN ROLL GUARDS ALIGNER- 4.5" DROP

BELT WIDTH		REPLACEMENT GUARD PART #	DESCRIPTION	RETURN GUARD PART #
in.	mm			
18	450	38-441518	GUARD,ASSY,RET,4.5"DP,CEMA B,C,D,E,W/UNIV. BRKT	44-020018
20	500	38-441620	GUARD,ASSY,RET,4.5"DP,CEMA B,C,D,E,W/UNIV. BRKT	44-020020
24	600	38-441724	GUARD,ASSY,RET,4.5"DP,CEMA B,C,D,E,W/UNIV. BRKT	44-020024
30	750	38-441830	GUARD,ASSY,RET,4.5"DP,CEMA B,C,D,E,W/UNIV. BRKT	44-020030
36	900	38-441936	GUARD,ASSY,RET,4.5"DP,CEMA B,C,D,E,W/UNIV. BRKT	44-020036
42	1050	38-442042	GUARD,ASSY,RET,4.5"DP,CEMA B,C,D,E,W/UNIV. BRKT	44-020042
48	1200	38-442148	GUARD,ASSY,RET,4.5"DP,CEMA B,C,D,E,W/UNIV. BRKT	44-020048
54	1350	38-442254	GUARD,ASSY,RET,4.5"DP,CEMA B,C,D,E,W/UNIV. BRKT	44-020054
60	1500	38-442360	GUARD,ASSY,RET,4.5"DP,CEMA B,C,D,E,W/UNIV. BRKT	44-020060
72	1800	38-442472	GUARD,ASSY,RET,4.5"DP,CEMA B,C,D,E,W/UNIV. BRKT	44-020072

ALSO AVAILABLE IN HEX



STANDARD RETURN ROLL GUARDS CEMA E

BELT WIDTH		REPLACEMENT GUARD PART #	DESCRIPTION	RETURN GUARD PART #
in.	mm			
18	450	38-441518	GUARD,ASSY,RET,4.5"DP,CEMA E	44-030018
20	500	38-441620	GUARD,ASSY,RET,4.5"DP,CEMA E	44-030020
24	600	38-441724	GUARD,ASSY,RET,4.5"DP,CEMA E	44-030024
30	750	38-441830	GUARD,ASSY,RET,4.5"DP,CEMA E	44-030030
36	900	38-441936	GUARD,ASSY,RET,4.5"DP,CEMA E	44-030036
42	1050	38-442042	GUARD,ASSY,RET,4.5"DP,CEMA E	44-030042
48	1200	38-442148	GUARD,ASSY,RET,4.5"DP,CEMA E	44-030048
54	1350	38-442254	GUARD,ASSY,RET,4.5"DP,CEMA E	44-030054
60	1500	38-442360	GUARD,ASSY,RET,4.5"DP,CEMA E	44-030060
72	1800	38-442472	GUARD,ASSY,RET,4.5"DP,CEMA E	44-030072

STANDARD RETURN ROLL GUARDS- 60-80 SERIES

BELT WIDTH		REPLACEMENT GUARD PART #	DESCRIPTION	RETURN GUARD PART #
in.	mm			
18	450	38-441518	GUARD,ASSY,60-80 SERIES,RETURN	44-010018
20	500	38-441620	GUARD,ASSY,60-80 SERIES,RETURN	44-010020
24	600	38-441724	GUARD,ASSY,60-80 SERIES,RETURN	44-010024
30	750	38-441830	GUARD,ASSY,60-80 SERIES,RETURN	44-010030
36	900	38-441936	GUARD,ASSY,60-80 SERIES,RETURN	44-010036
42	1050	38-442042	GUARD,ASSY,60-80 SERIES,RETURN	44-010042
48	1200	38-442148	GUARD,ASSY,60-80 SERIES,RETURN	44-010048
54	1350	38-442254	GUARD,ASSY,60-80 SERIES,RETURN	44-010054
60	1500	38-442360	GUARD,ASSY,60-80 SERIES,RETURN	44-010060
72	1800	38-442472	GUARD,ASSY,60-80 SERIES,RETURN	44-010072

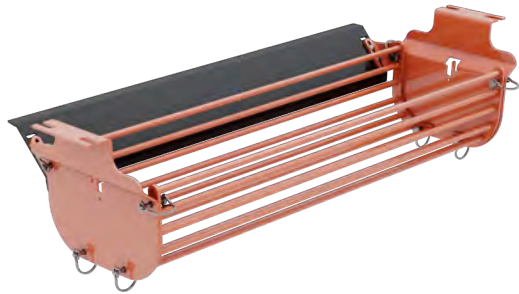


RETURN ROLL GUARDS

COMPLETE ASSEMBLY

RETURN IDLER CAGE

BELT WIDTH		REPLACEMENT GUARD PART #	DESCRIPTION	RETURN GUARD PART #
in.	mm			
18	450	38-441518	GUARD, ROD STYLE, ASSY, RET, 4.5" DROP, CEMA B,C,D	44-500018
24	600	38-441724	GUARD, ROD STYLE, ASSY, RET, 4.5" DROP, CEMA B,C,D	44-500024
30	750	38-441830	GUARD, ROD STYLE, ASSY, RET, 4.5" DROP, CEMA B,C,D	44-500030
36	900	38-441936	GUARD, ROD STYLE, ASSY, RET, 4.5" DROP, CEMA B,C,D	44-500036
42	1050	38-442642	GUARD, ROD STYLE, ASSY, RET, 4.5" DROP, CEMA B,C,D	44-500042
48	1200	38-442648	GUARD, ROD STYLE, ASSY, RET, 4.5" DROP, CEMA B,C,D	44-500048
54	1350	38-442654	GUARD, ROD STYLE, ASSY, RET, 4.5" DROP, CEMA B,C,D	44-500054
60	1500	38-442660	GUARD, ROD STYLE, ASSY, RET, 4.5" DROP, CEMA B,C,D	44-500060



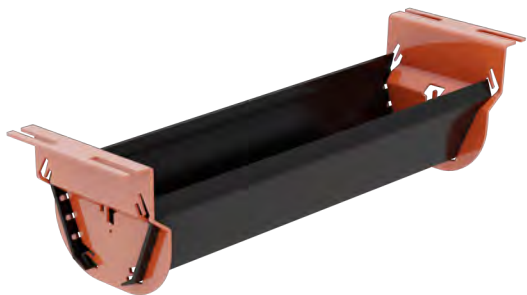
RETURN IDLER BASKET

BELT WIDTH		DESCRIPTION	PART #
in.	mm		
18	450	GUARD, BASKET STYLE, ASSY, RET	44-600018
24	600	GUARD, BASKET STYLE, ASSY, RET	44-600024
30	750	GUARD, BASKET STYLE, ASSY, RET	44-600030
36	900	GUARD, BASKET STYLE, ASSY, RET	44-600036
42	1050	GUARD, BASKET STYLE, ASSY, RET	44-600042
48	1200	GUARD, BASKET STYLE, ASSY, RET	44-600048
54	1350	GUARD, BASKET STYLE, ASSY, RET	44-600054
60	1500	GUARD, BASKET STYLE, ASSY, RET	44-600060
72	1800	GUARD, BASKET STYLE, ASSY, RET	44-600072
84	2100	GUARD, BASKET STYLE, ASSY, RET	44-600084
96	2400	GUARD, BASKET STYLE, ASSY, RET	44-600096



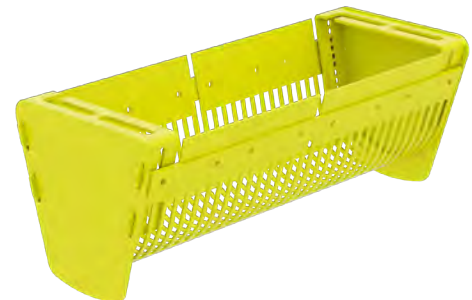
DUAL RETURN ROLL GUARDS

BELT WIDTH		REPLACEMENT GUARD PART #	DESCRIPTION	RETURN GUARD PART #
in.	mm			
18	450	38-400018	GUARD, ASSY, DUAL-RET, 4-1/2" DROP	44-118450
20	500	38-400020	GUARD, ASSY, DUAL-RET, 4-1/2" DROP	44-120450
24	600	38-400024	GUARD, ASSY, DUAL-RET, 4-1/2" DROP	44-124450
30	750	38-400030	GUARD, ASSY, DUAL-RET, 4-1/2" DROP	44-130450
36	900	38-400036	GUARD, ASSY, DUAL-RET, 4-1/2" DROP	44-136450
42	1050	38-400042	GUARD, ASSY, DUAL-RET, 4-1/2" DROP	44-142450
48	1200	38-400048	GUARD, ASSY, DUAL-RET, 4-1/2" DROP	44-148450
54	1350	38-400054	GUARD, ASSY, DUAL-RET, 4-1/2" DROP	44-154450
60	1500	38-400060	GUARD, ASSY, DUAL-RET, 4-1/2" DROP	44-160450



SHIELDALL GUARD

BELT WIDTH		DESCRIPTION	PART #
in.	mm		
18	450	GUARD, ASSY, RET, SHIELDALL	44-040118
24	600	GUARD, ASSY, RET, SHIELDALL	44-040124
30	750	GUARD, ASSY, RET, SHIELDALL	44-040130
36	900	GUARD, ASSY, RET, SHIELDALL	44-040136
42	1050	GUARD, ASSY, RET, SHIELDALL	44-040142
48	1200	GUARD, ASSY, RET, SHIELDALL	44-040148
54	1350	GUARD, ASSY, RET, SHIELDALL	44-040154
60	1500	GUARD, ASSY, RET, SHIELDALL	44-040160
66	1650	GUARD, ASSY, RET, SHIELDALL	44-040166
72	1800	GUARD, ASSY, RET, SHIELDALL	44-040172
84	2100	GUARD, ASSY, RET, SHIELDALL	44-040184
96	2400	GUARD, ASSY, RET, SHIELDALL	44-040196



GUARD PANELS

REPLACEMENT PARTS



FLEXIBLE GUARD PANELS

DESCRIPTION	PART NUMBER
KIT, GUARD, 1/4" DIAMOND, 4'x100'W/FSTNR, YEL	38-000030
KIT, GUARD, 3/4" DIAMOND, 4'x50'W/FSTNR, YEL	38-000032

STEEL GUARD PANELS

DESCRIPTION	PART NUMBER
GUARD, TRUSS, MESH, PERF-METAL, 16GA, 120"X60"	10-09998
GUARD, TRUSS, MESH, PERF-METAL, 47.5" T	10-02139



SAFETY HANDRAIL

COMPLETE ASSEMBLY



SAFETY RAIL ASSEMBLY¹

PART	PART NUMBER
Safety Rail Kit	26-010001

SAFETY RAIL REPLACEMENT PARTS

	PART	PART NUMBER
1	10 Foot Pole (1-1/4")	26-010002
2	Idler Mounting Bracket	32-990130
3	Optional End Plug	21-00329



¹ INCLUDES (1) 10-FOOT POLE WITH (1) IDLER MOUNTING BRACKET, AS SHOWN ABOVE

ONE (1) ADDITIONAL MOUNTING BRACKET (32-990130) MUST BE PURCHASED IN ADDITION TO HOWEVER MANY KITS ARE PURCHASED. THIS IS THE BRACKET THAT WILL SUPPORT THE LAST POLE ON THE CONVEYOR.